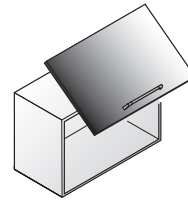


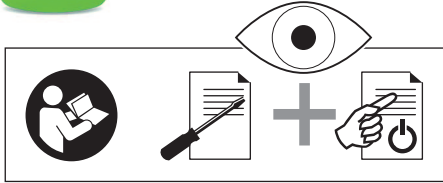


FREEswing eTouch^{KS}

by Kesseböhmer



<http://support.kesseboehmer.de/freelift-etouch>



1 **A** **B** **C** 2x **D** 2x

2 **H**
UK: 271976 9005
AU: 271975 9005
EU: 271973 9005
US: 271974 9005

3 **I**
271968 0006

4 **E** **F** **G**
■ 271971 7035
□ 271971 9966

5 **J** **U** **L** **M** **N** **S** **R** **T** **K**
271962 7035
M4 x 8
4 x 35
272062 9005

+ **O**

+ **P** 14x **Q** 2x
M4 x 8
DIN 965
271687 0006

403721 0000

06/2016

12.0001.010.434.0000.00

KESSEBÖHMER

i				mm		
	370	271968 0006	1.8 - 4.0 kg	S1sw	271923 0006	
	400		3.4 - 6.5 kg	S4sw	271926 0006	
	450		5.2 - 10.3 kg	S7sw	271929 0006	
	500		1.8 - 3.9 kg	S1sw	271923 0006	
	500		3.3 - 6.3 kg	S4sw	271926 0006	
	550		5.0 - 10.0 kg	S7sw	271929 0006	
	600		1.8 - 3.7 kg	S1sw	271923 0006	
	670		3.2 - 6.1 kg	S4sw	271926 0006	
	670		4.8 - 9.4 kg	S7sw	271929 0006	
	700		1.8 - 3.5 kg	S1sw	271923 0006	
	750		3.0 - 5.8 kg	S4sw	271926 0006	
	800		4.5 - 8.9 kg	S7sw	271929 0006	
			500	2.5 - 5.9 kg	S2sw	271924 0006
			550	5.0 - 10.0 kg	S5sw	271927 0006
			600	8.2 - 15.9 kg	S8sw	271930 0006
	670	2.5 - 5.6 kg	S2sw	271924 0006		
	700	4.8 - 9.6 kg	S5sw	271927 0006		
	750	7.8 - 15.2 kg	S8sw	271930 0006		
	800	2.5 - 5.3 kg	S2sw	271924 0006		
		4.7 - 9.3 kg	S5sw	271927 0006		
		7.5 - 14.5 kg	S8sw	271930 0006		
		2.5 - 4.8 kg	S2sw	271924 0006		
		4.5 - 8.8 kg	S5sw	271927 0006		
		7.0 - 13.5 kg	S8sw	271930 0006		
		3.2 - 6.5 kg	S3sw	271925 0006		
		5.7 - 11.3 kg	S6sw	271928 0006		
		8.5 - 17.1 kg	S9sw	271931 0006		
		3.1 - 6.3 kg	S3sw	271925 0006		
		5.6 - 11.1 kg	S6sw	271928 0006		
		8.4 - 16.7 kg	S9sw	271931 0006		
		3.0 - 6.0 kg	S3sw	271925 0006		
		5.4 - 10.7 kg	S6sw	271928 0006		
		8.2 - 16.0 kg	S9sw	271931 0006		
		2.9 - 5.7 kg	S3sw	271925 0006		
		5.3 - 10.3 kg	S6sw	271928 0006		
		8.0 - 15.3 kg	S9sw	271931 0006		

1				mm	
KB > 1200 	600	16	449	271979 0038	
		19			
	900	16	749	271981 0038	
		19			
	1200	16	1049	271983 0038	
	19				
KB	16	KB - (2 x K) - 113			
	19				

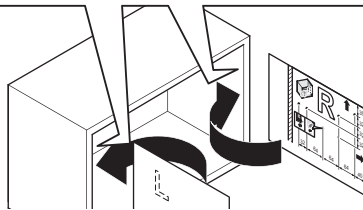
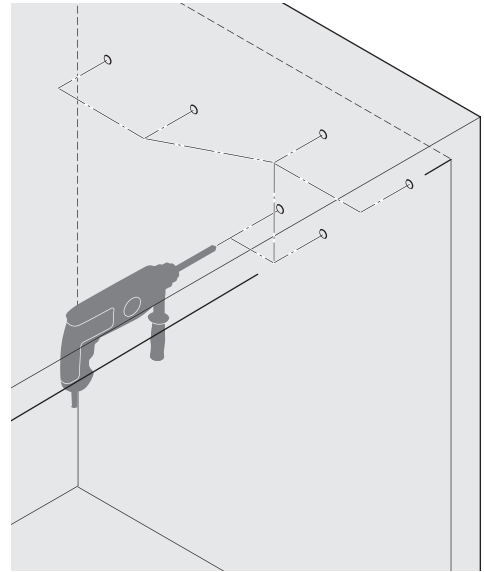
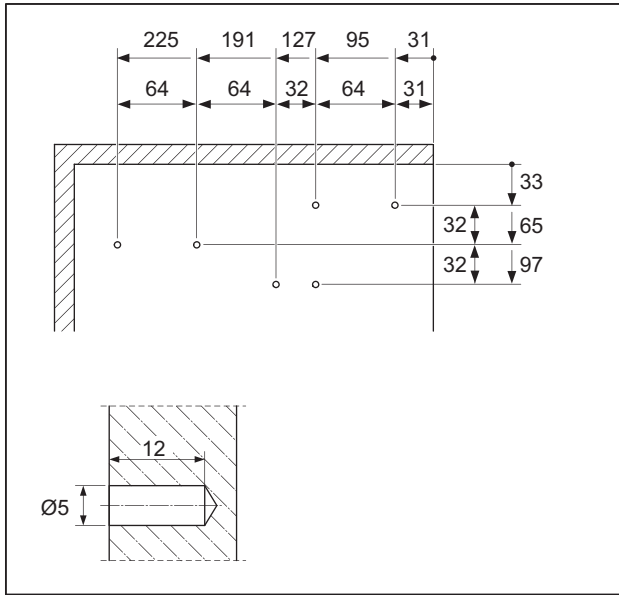
403721 0000

06/2016

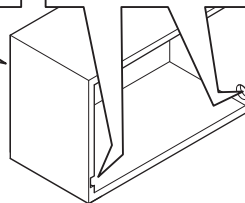
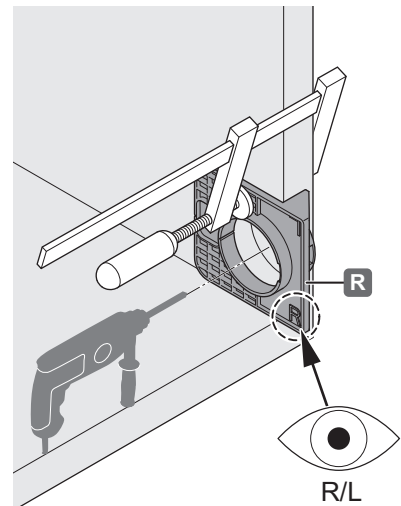
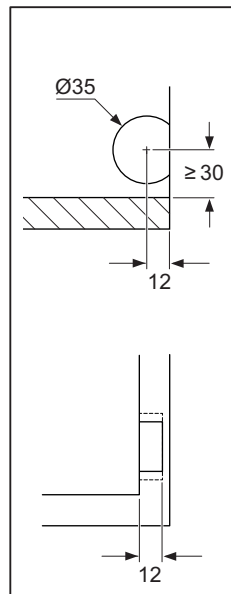
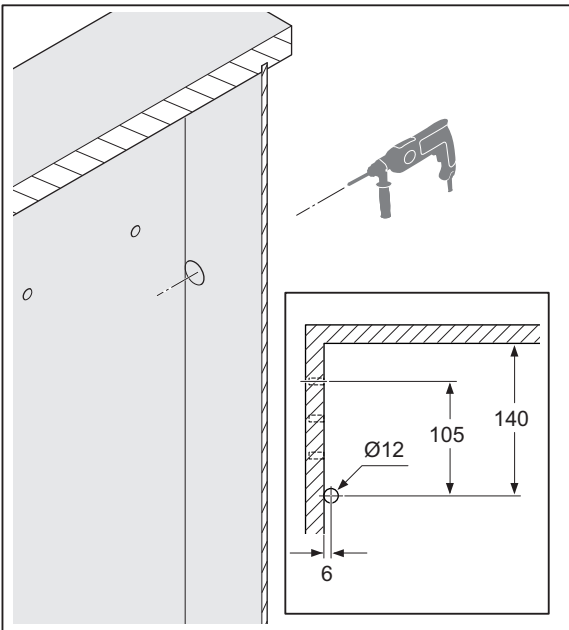
12.0001.010.434.0000.00

KESSEBÖHMER

1



2



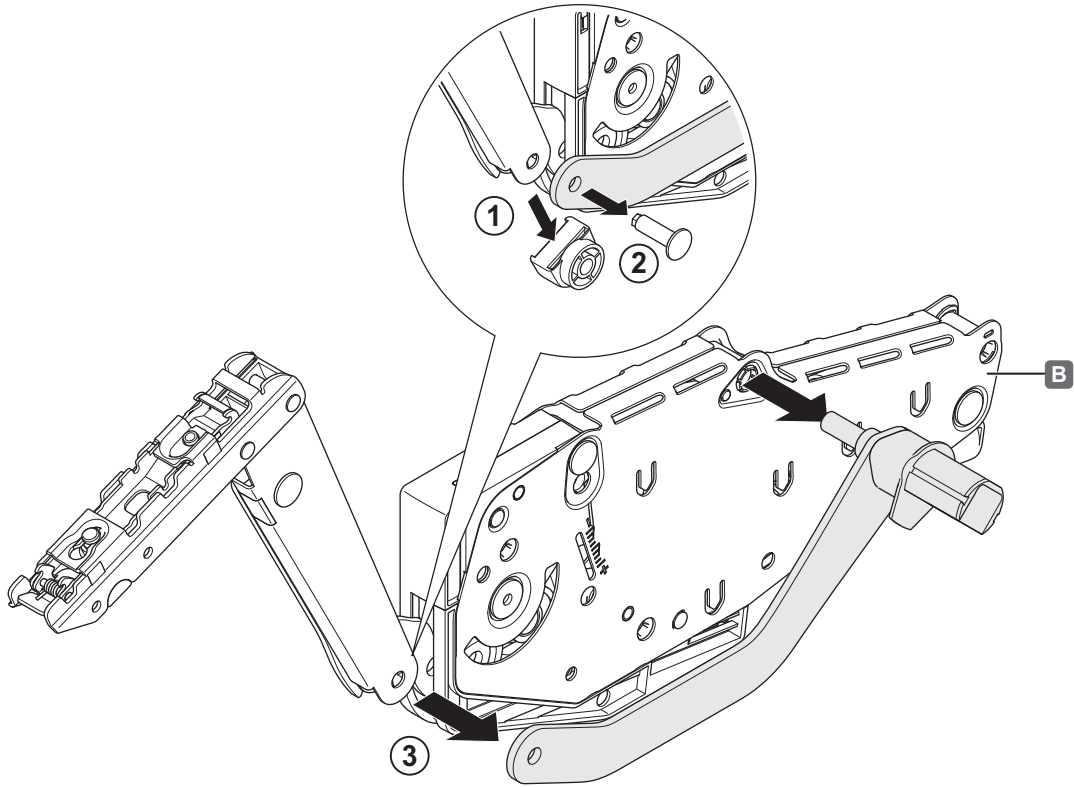
403721 0000

06/2016

12.0001.010.434.0000.00

KESSEBÖHMER

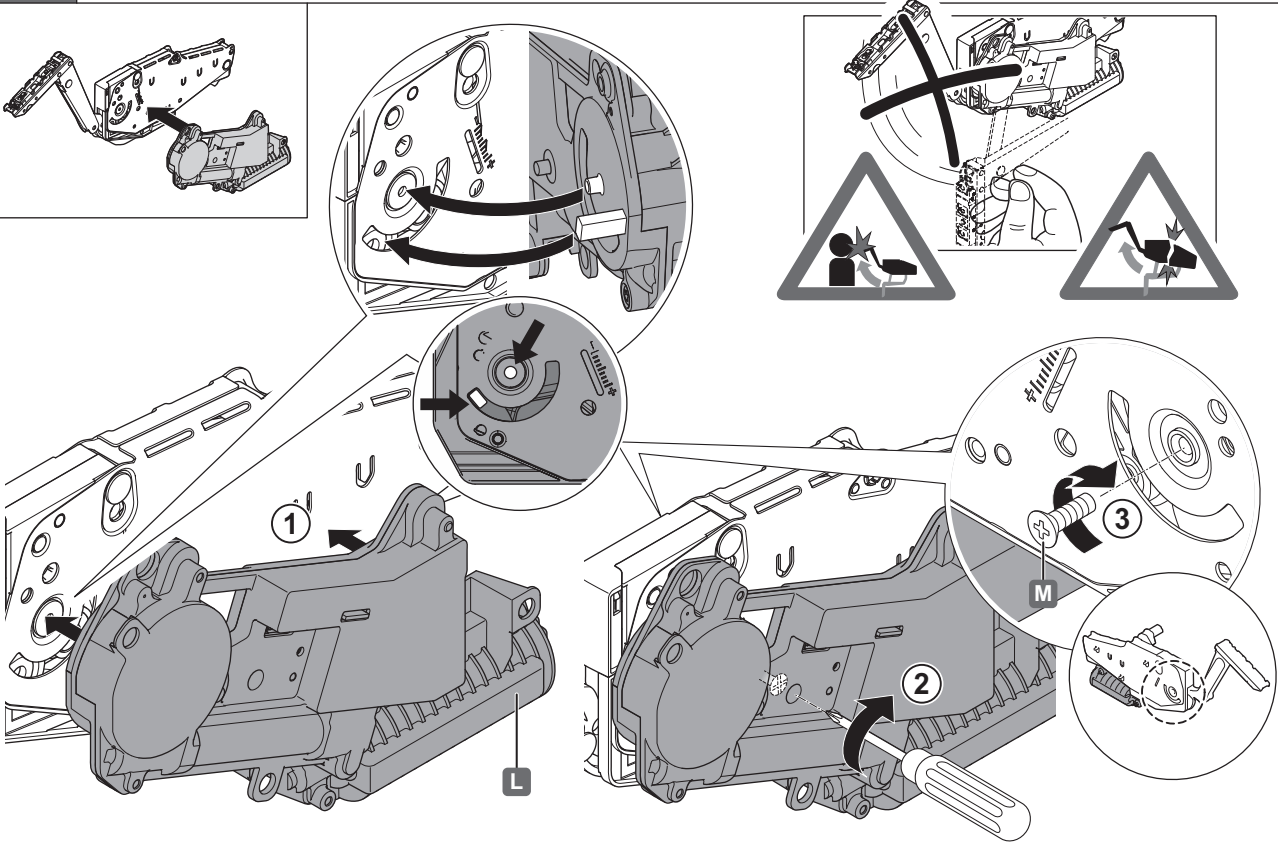
3



4



PZ 2



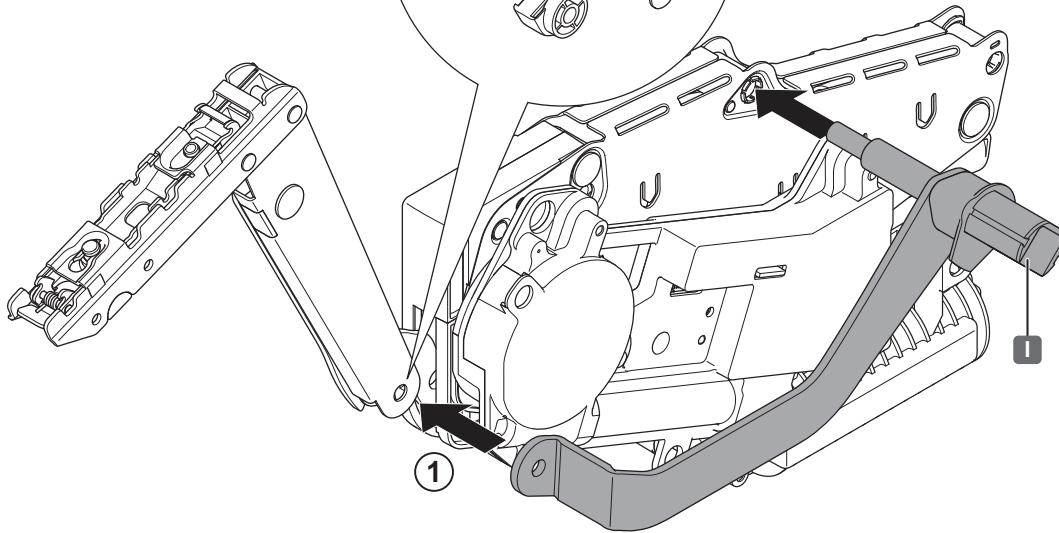
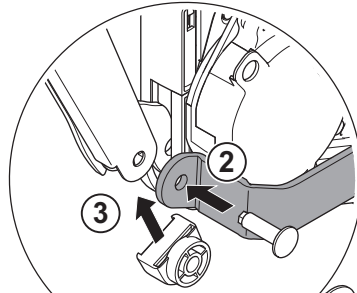
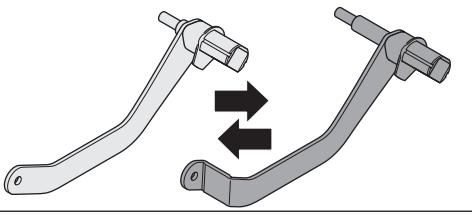
403721 0000

06/2016

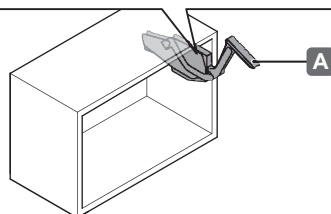
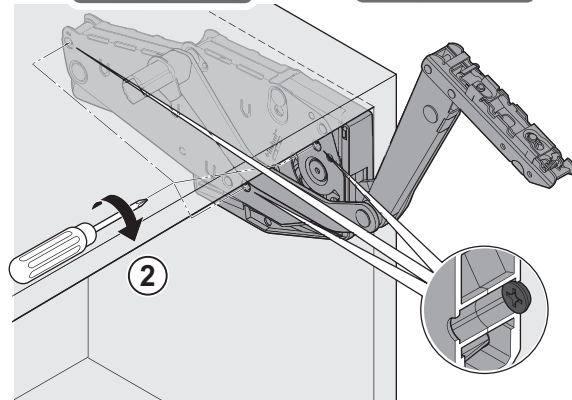
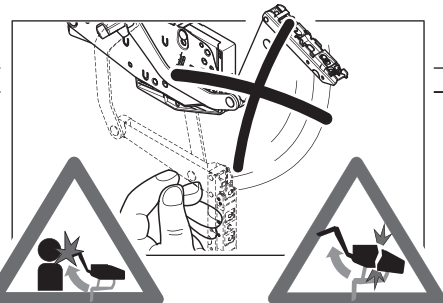
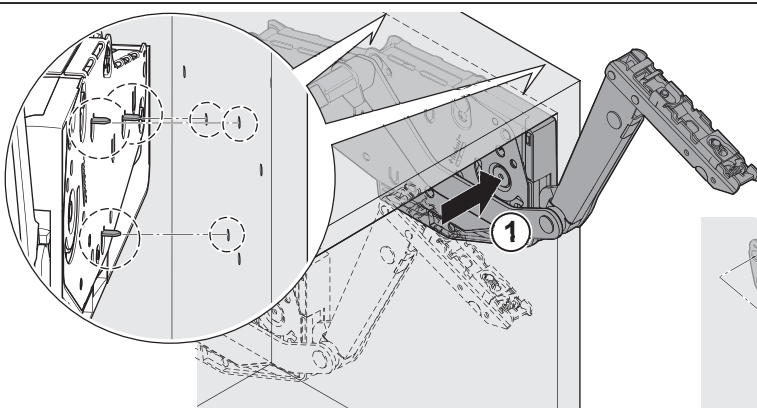
12.0001.010.434.0000.00

KESSEBÖHMER

5



6



403721 0000

06/2016

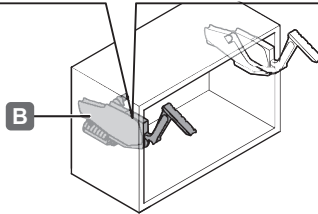
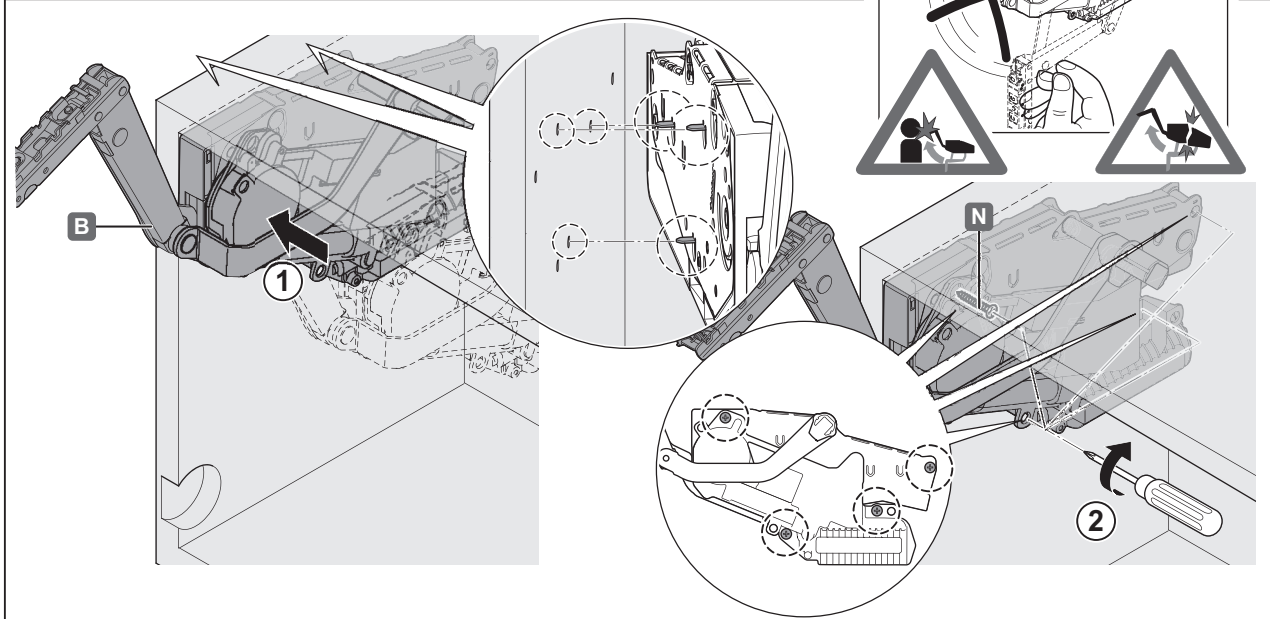
12.0001.010.434.0000.00

KESSEBÖHMER

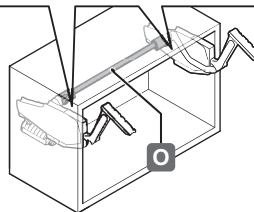
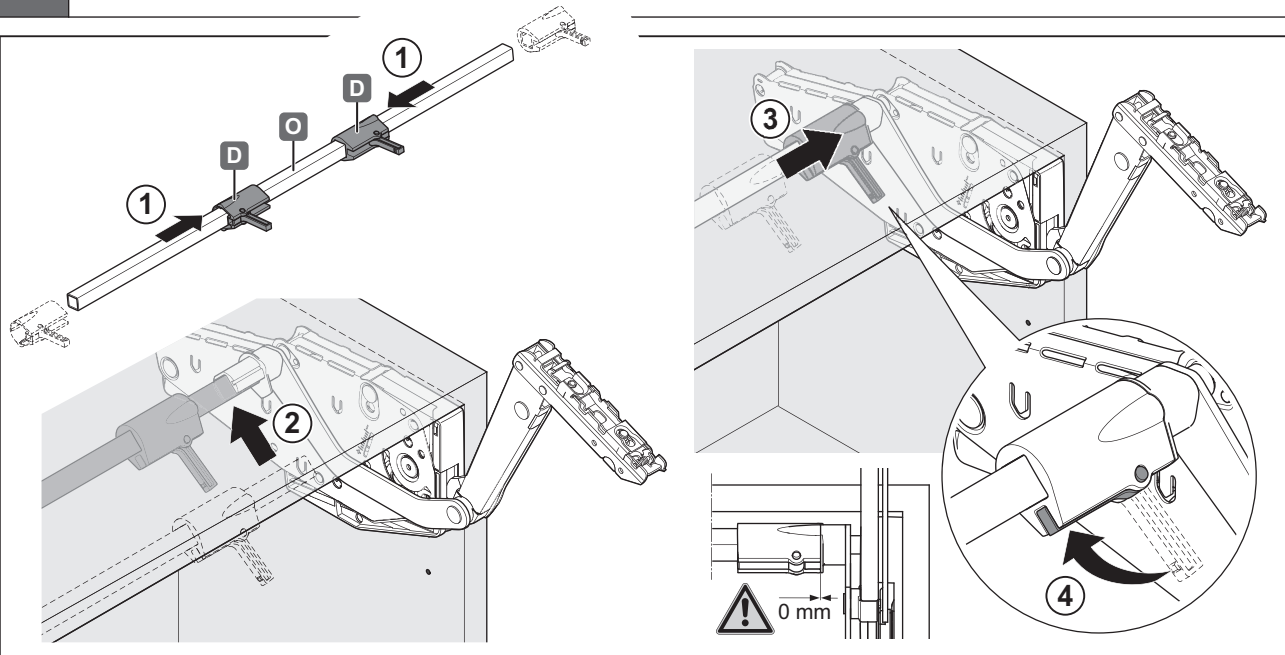
7



PZ 2



8



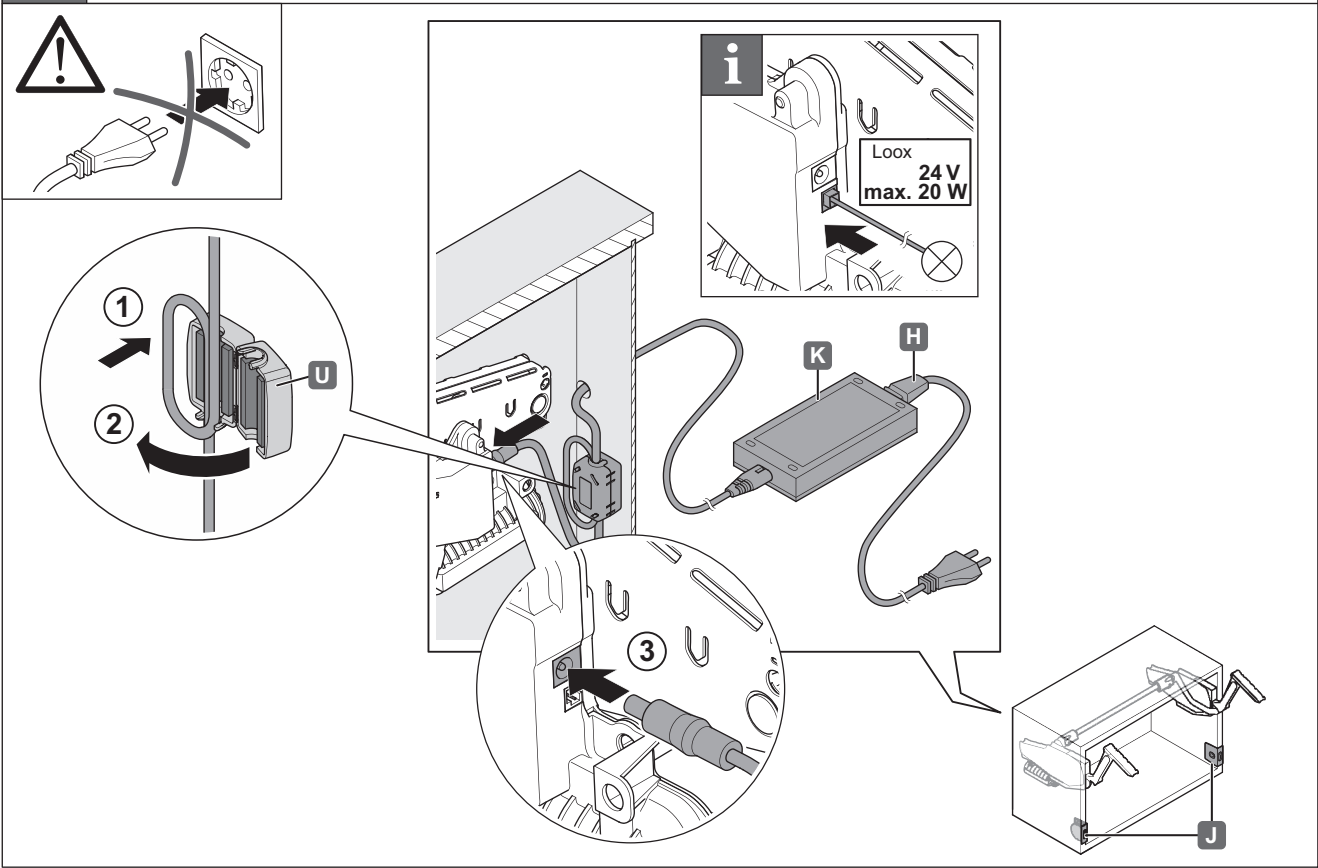
403721 0000

06/2016

12.0001.010.434.0000.00

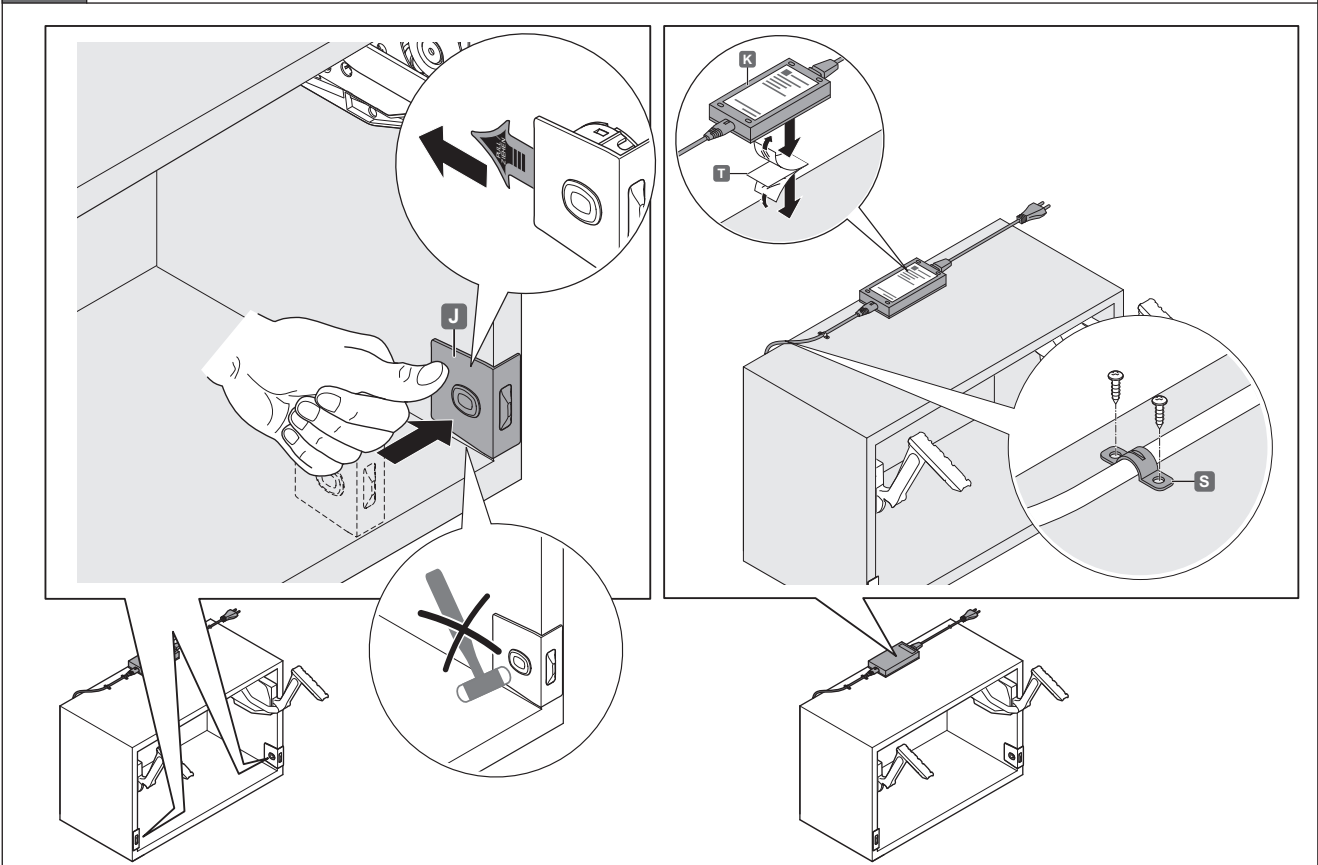
KESSEBÖHMER

9



403721 0000

10



06/2016

12.0001.010.434.0000.00

KESSEBÖHMER

11



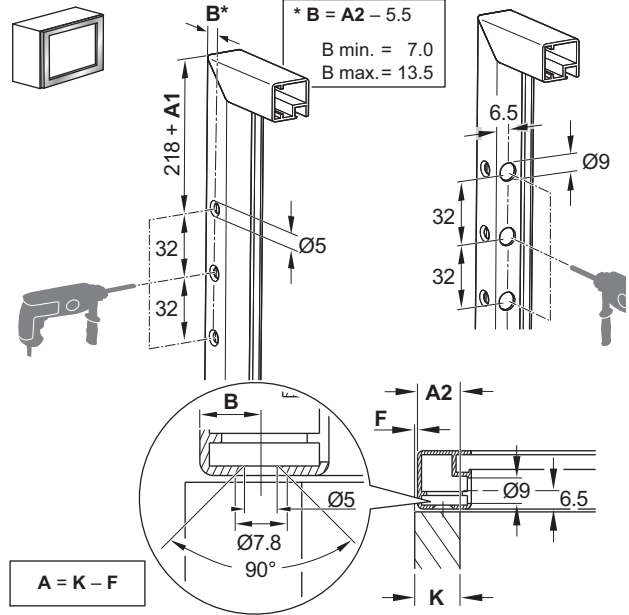
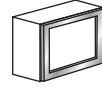
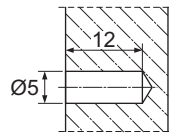
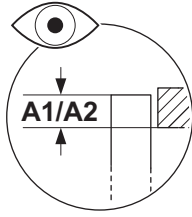
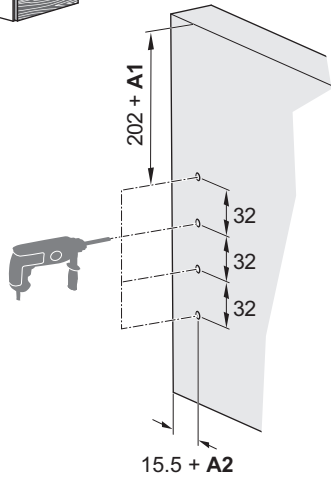
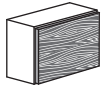
5 mm



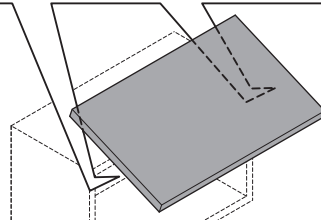
9 mm



„mm“

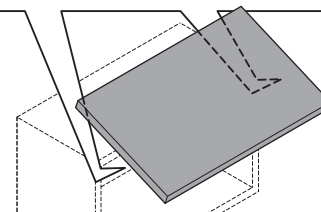
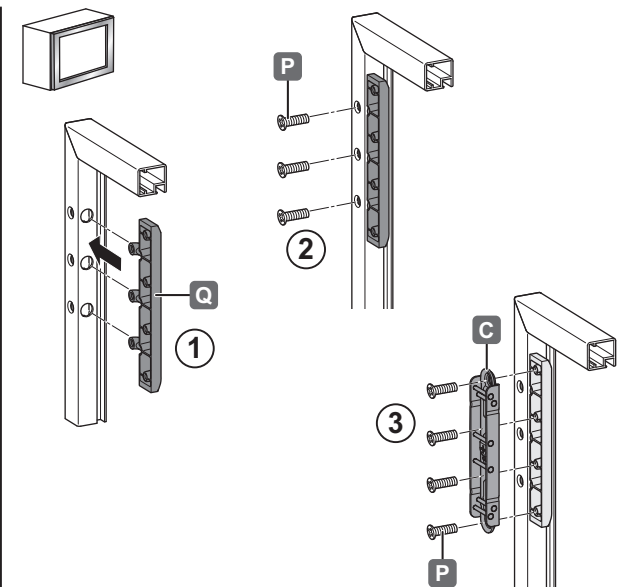
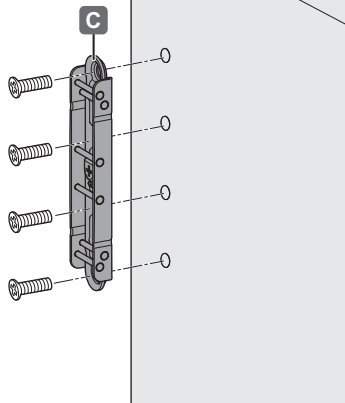
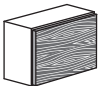


A = K - F



403721 0000

12

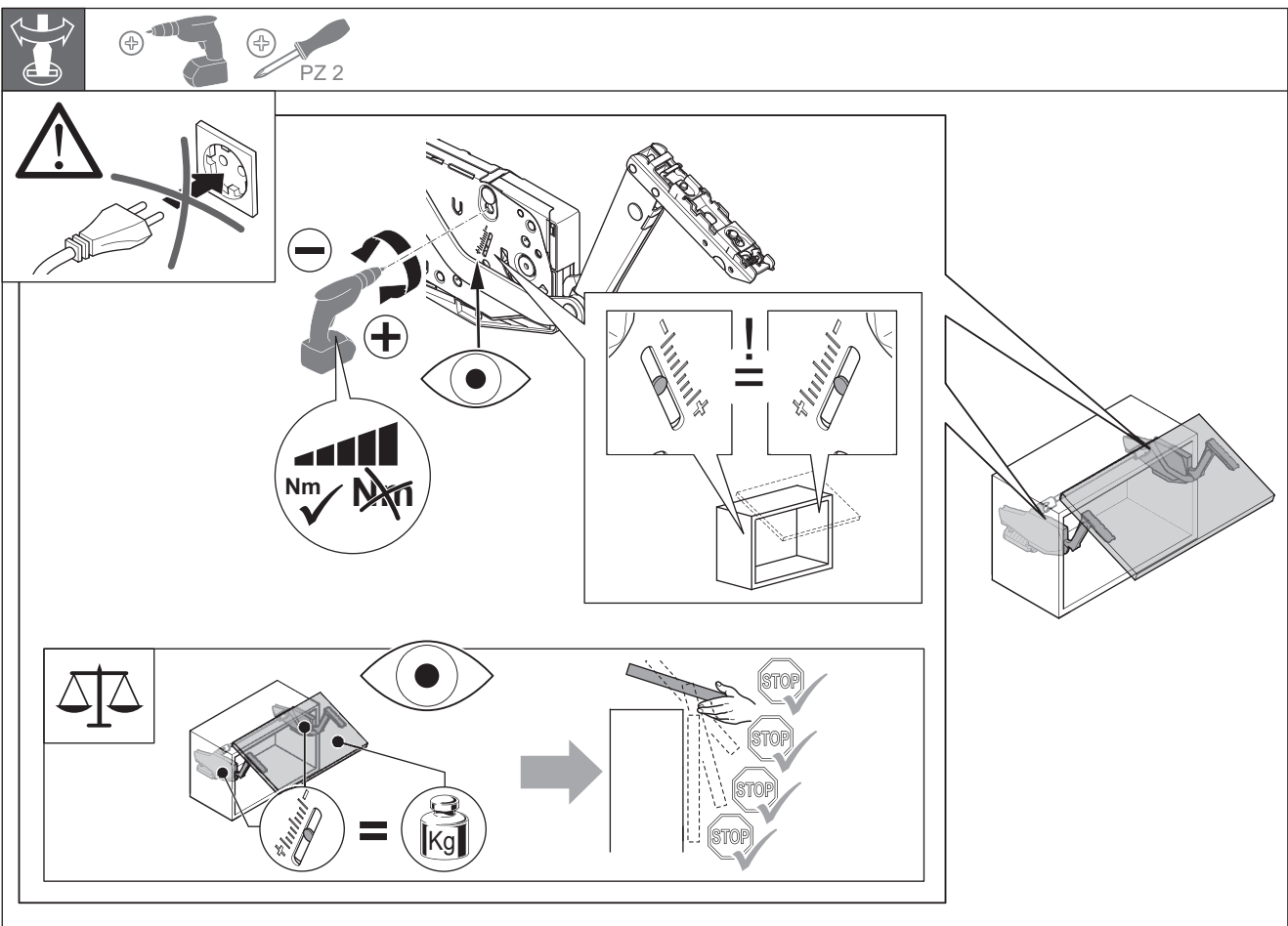
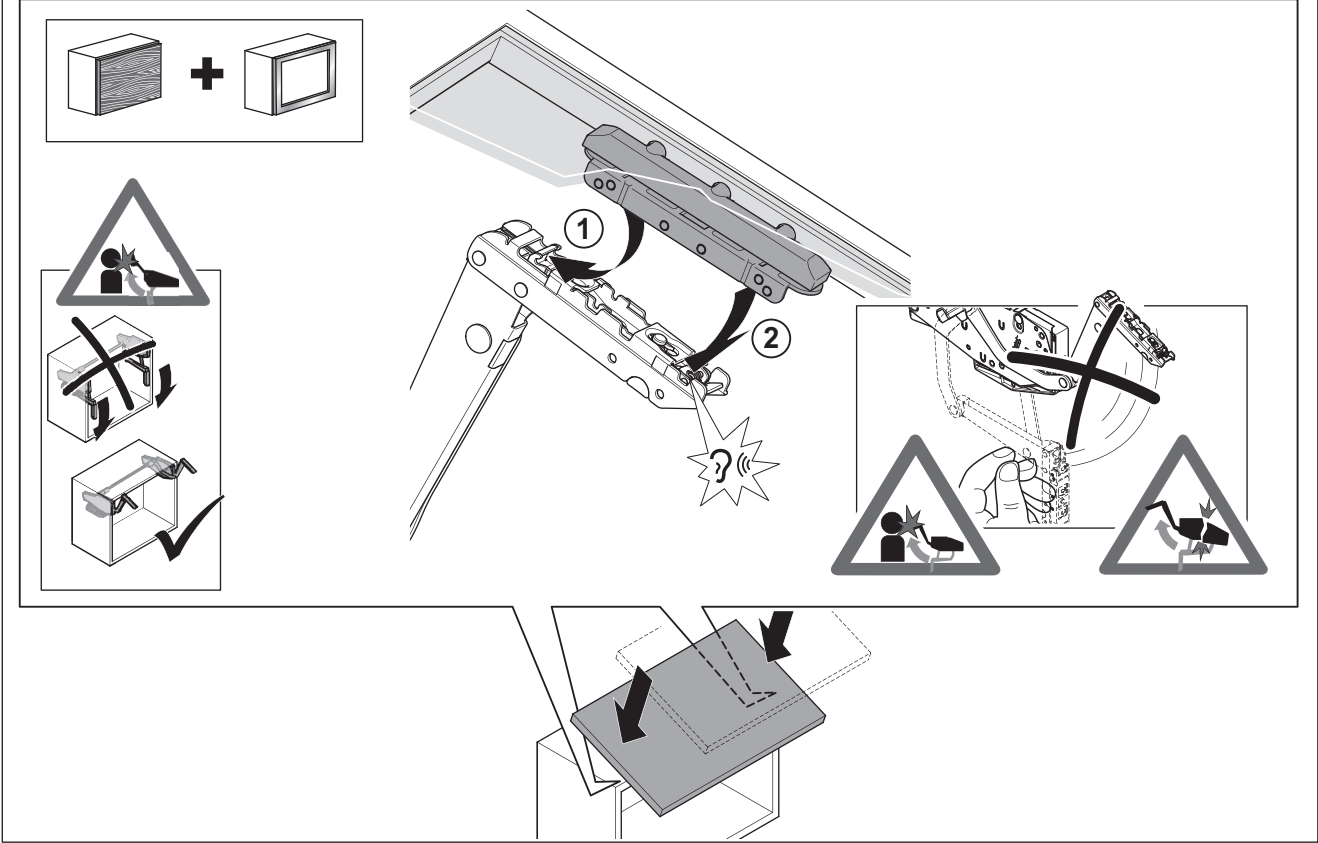


06/2016

12.0001.010.434.0000.00

KESSEBÖHMER

13



403721 0000

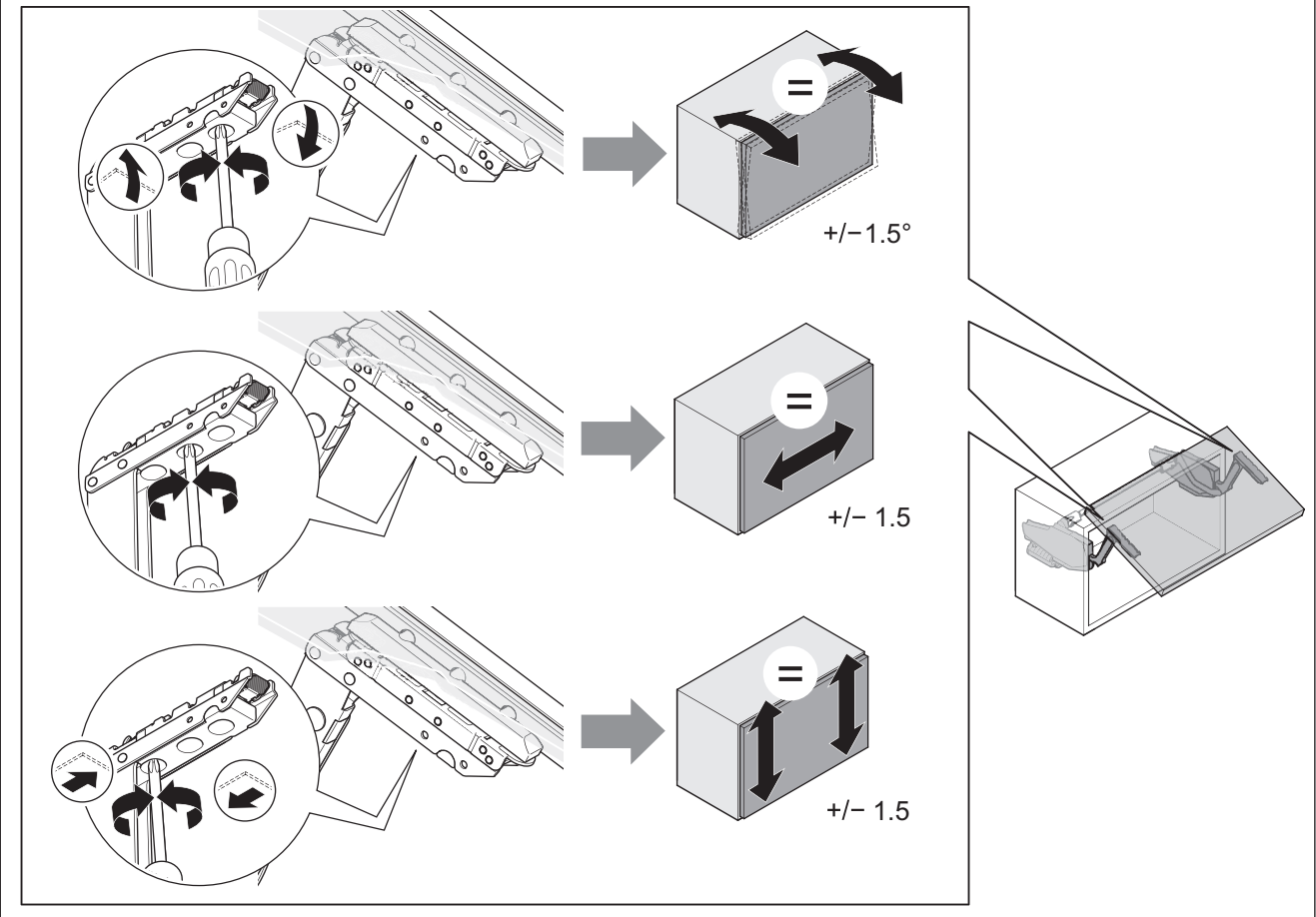
06/2016

12.0001.010.434.0000.00

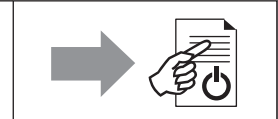
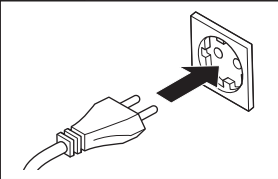
KESSEBÖHMER



PZ 2



403721 0000

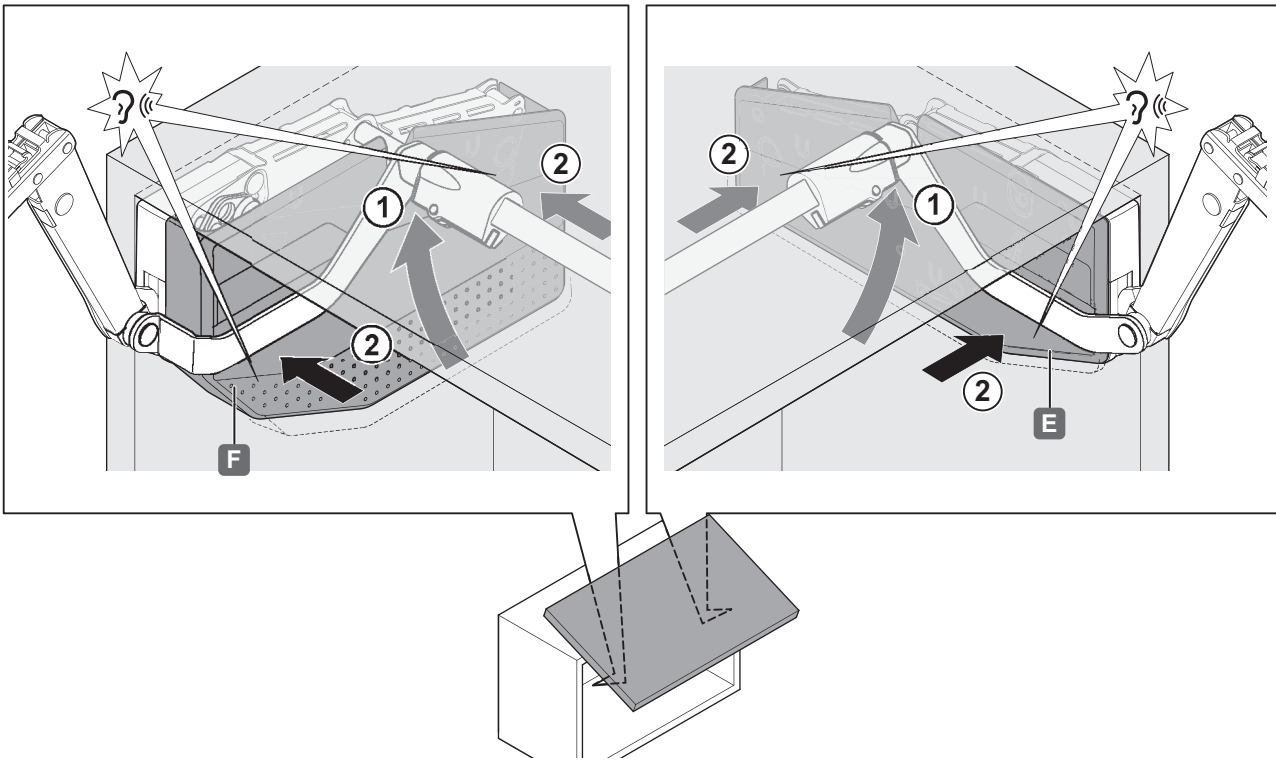


06/2016

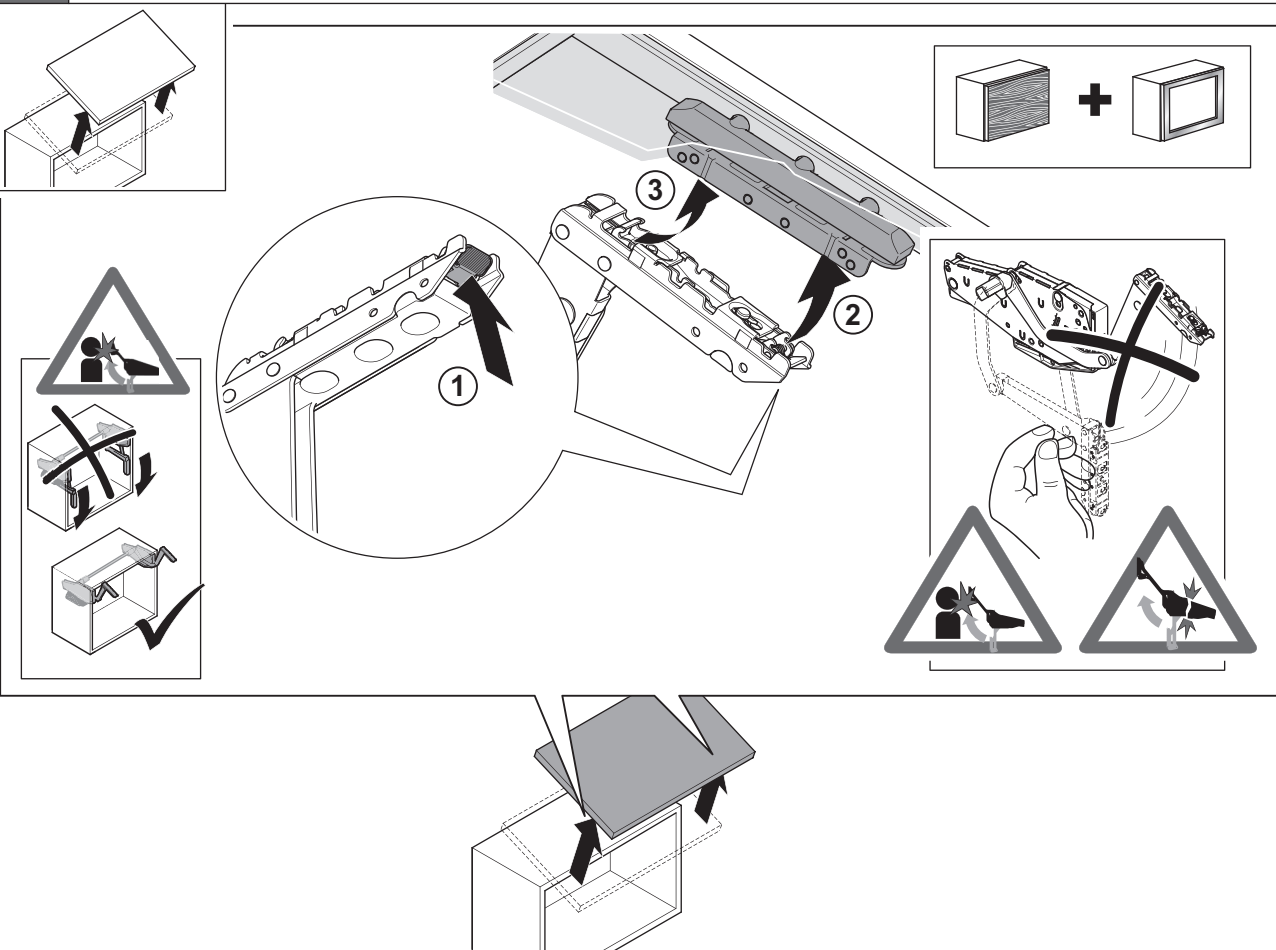
12.0001.010.434.0000.00

KESSEBÖHMER

14



i



403721 0000

06/2016

12.0001.010.434.0000.00

KESSEBÖHMER