

STYLEA

5920PJI040L51-10 LOW

EAN 4031582359855

Swivel castor, housing made of Polyamide, with blind hole fitting. Wheel centre made of Polypropylene, Tread: TENTEprene (thermoplastic rubber), grey non-marking, plain bearing



BETTER MOBILITY. BETTER LIFE.



Picture may differ from original product

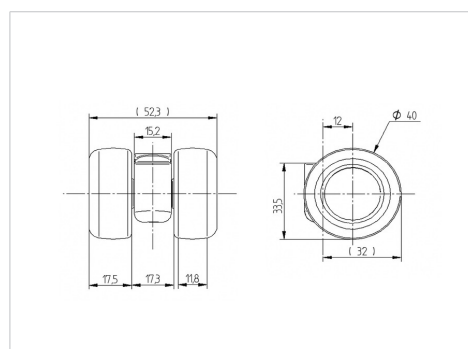
Technical Data

Wheel diameter	40 mm
Wheel width	12 mm
Castor width	52 mm
Centre hole	10 mm
Dome-Ø	15.2 mm
Offset	12 mm
Swivel Interference	74 mm
Overall height	35 mm
Temperature	- 20 / + 60 °C
Standard	EN_12528
Weight	0.049 kg
Swivel Radius	37 mm
Hardness of tread	Shore A 87
Load capacity	40 kg
Load capacity (static)	80 kg

Advantages at a glance

Roll performance	● ● ● ○ ○
Movement noise	● ● ● ○ ○
Attrition	● ● ● ● ●
Corrosion resistance	● ● ● ● ○

Dimensions



Structure & Mounting

