

# LUMINA

AA25POI050L51-10

EAN 4031582335743

Swivel castor with wheel brake, housing made of Polypropylene, with blind hole fitting. Wheel centre made of Polypropylene, plain bearing



BETTER MOBILITY. BETTER LIFE.

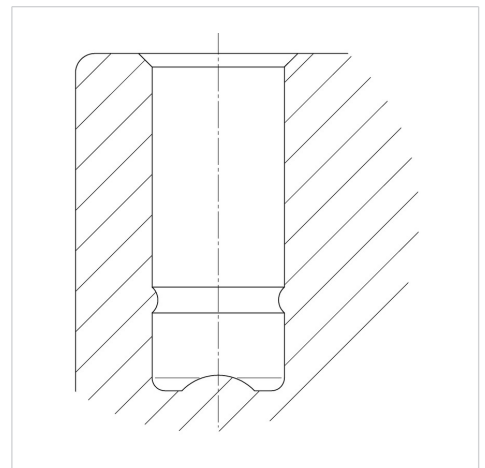


Picture may differ from original product

## Technical Data

Wheel diameter	50 mm
Wheel width	7 mm
Castor width	55 mm
Centre hole	10 mm
Offset	20 mm
Swivel Interference	124 mm
Overall height	56 mm
Temperature	- 20 / + 60 °C
Standard	EN_12528
Weight	0.061 kg
Swivel Radius	62 mm
Hardness of tread	Shore D 65
Load capacity	40 kg
Load capacity (static)	80 kg

## Structure & Mounting



## Advantages at a glance

Roll performance	● ● ● ○ ○
Movement noise	● ● ● ○ ○
Attrition	● ● ● ○ ○
Corrosion resistance	● ● ● ○ ○