



Triade

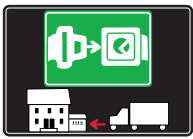
WOOD
AND
GLASS
SHELVING
SYSTEMS





SYMBOLS AND FINISHES LEGEND

SYMBOLS



= SHELF SAFELY LOCKED DURING TRANSPORTATION AND AT HOME.



= ANTI-TURNOVER LOCKING SYSTEM



= NORMS / PATENTS



= PHILLIPS / POZIDRIV



= WITH BUFFER



= PART NO.



= BLADE SLOT



= WITH MAGNET



= PCS. PER PACKAGE



= COMBI SLOT



= HEXAGONAL SOCKET



= NEWTON



= CAPACITY LOADING



= HEXALOBULAR SOCKET



= FRICTION



= WOOD / GLASS THICKNESS



= COUNTERSUNK HEAD



= AUTOMATIC



= HOLE DIAMETER



= PAN HEAD



= DROP DOWN



= DIAMETER



= FLANGE HEAD



= LENGTH



= FLAT HEAD



= STANDARD HINGE



= HEIGHT



= TRILOBULAR SCREW



= KIMANA HINGE



= RIGHT VERSION



= SELF-TAPPING SCREW



= FLAP HINGE



= LEFT VERSION



= EURO THREAD



= WITH SPRING



= SETTING CODE



= METRIC THREAD



= WITHOUT SPRING



= PCS. PER PAD



= PRE-INSERTED SCREW



= REVERSED SPRING



= CUT ON REQUEST



= PRE-INSERTED SCREW AND SPREADING BUSH



= SELF ADHESIVE



= WITH FLANGE


NOTE: Printing errors and omissions may exist despite our best efforts to ensure accuracy. We reserve the right to alter specifications without notice.

MATERIALS

ZA = Zinc Alloy	ST = Steel	HSS = High Speed Steel	BR = Brass	ABS = Acrylonitrile Butadiene Styrene
ZAnk = Nickel-plated Zinc Alloy	STzk = Zinc-plated Steel	AL = Aluminium	WD = Wood	EVA = Ethylene Vinyl Acetate

EP = ENGINEERING PLASTIC	+ EP = other engineering plastic available on request	SR = SOFT RUBBER	+ SR = other soft rubber available on request
--	--	--------------------------------	--

EPn = Natural Engineering Plastic	EPc = Clear Engineering Plastic	SRn = Natural Soft Rubber
EPw = White Engineering Plastic	EPg = Grey Engineering Plastic	SRw = White Soft Rubber
EPwg = Water Green Engineering Plastic	EPa = Anthracite Engineering Plastic	SRb = Black Soft Rubber

 FINISHES	+  = OTHER FINISHES AVAILABLE ON REQUEST
--	---

PART NO.	FINISHES	PART NO.	FINISHES	PART NO.	FINISHES
OO	Insignificant finish	IF	Middle Grey	RO	Red
AA	Natural	IJ	Light Grey	UT	T-Met 9007
AB	White	IL	Grey 20	UZ	T-Met
AE	White 9010	IN	Grey met. 26	WA	Bronzed
EA	Black	JB	Bright Aluminium	WI	Burnished
EC	Matt Black	JC	Aluminium - Chrome	XD	Satin-finished Steel
EE	Anthracite	JD	Matt Aluminium	YA	Nickel-plated
EW	Grey 9007	JE	Satin-finished Aluminium	YB	Bright Nickel-plated
FU	Gunmetal	JF	Aluminium - Brass	YC	Matt Nickel-plated
FV	Gunmetal V52	JG	Aluminium 5	YD	Satin-finished Nickel-plated
GR	Raw	JL	Aluminium PE 11	YQ	Black Nickel
HA	Brass-Plated	JM	Aluminium RAL 9006	Z9	Black Zinc
HH	Tropicalized	KA	Chrome	ZA	Zinc alloy
HL	Raw Brass	KB	Bright Chrome	ZN	Zinc-plated
HX	Graphite	KC	Matt Chrome	ZQ	Bright Gold
IA	Grey	LD	Brown 8019	ZY	Titanium
IB	Metallic Grey	NN	Metallic Beige	ZZ	Clear

TRIADE

TRIADE is the concealed mounting bracket for shelves 30 to 40 mm thick. It has been conceived to simplify the shelf installation. It is provided with three independent adjustments:

- 1) VERTICAL: before installing the shelf, the mounting brackets can be adjusted in height and (vertically) aligned through the slots.
- 2) HORIZONTAL: while placing the shelf in position, the supporting pins can be slid horizontally.
- 3) INCLINATION: when the shelf is partially inserted, the shelf angle can be adjusted front to back by turning the supporting pins with a 10 mm open-ended wrench.

The capacity loading is 15 Kg each (shelf weight included) for a shelf max 300 mm deep.
The minimum shelf depth required is 160mm.

ADDITIONAL BENEFITS DUE TO SECURITY LOCKING FEATURE

- Simple additional drilling.
- Small diameter hole in the shelf (only \varnothing 3,5 mm).
- Multiple assembly and disassembly of the shelf.
- Suitable for all thicknesses.
- Tested on plywood, mdf and chipboard.

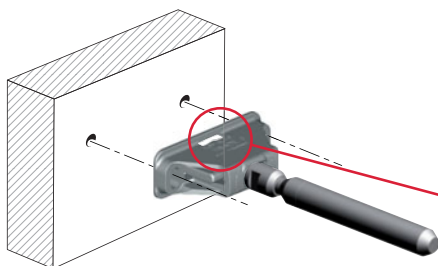
30-40 mm 

15 kg for each shelf support for shelf 300 mm deep 

PAT. PENDING 

INSTALLATION AND ADJUSTMENTS

WOOD PANEL



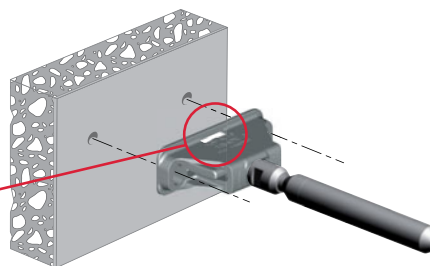
Recommended fixing pan head screw type - head \varnothing 5 mm max.

VERY IMPORTANT

Triade has to be installed with the writing "TOP - ALTO" facing upwards.



SOLID AND PLASTERBOARD PANEL

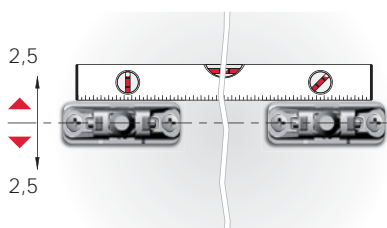


It is the responsibility of the customer:

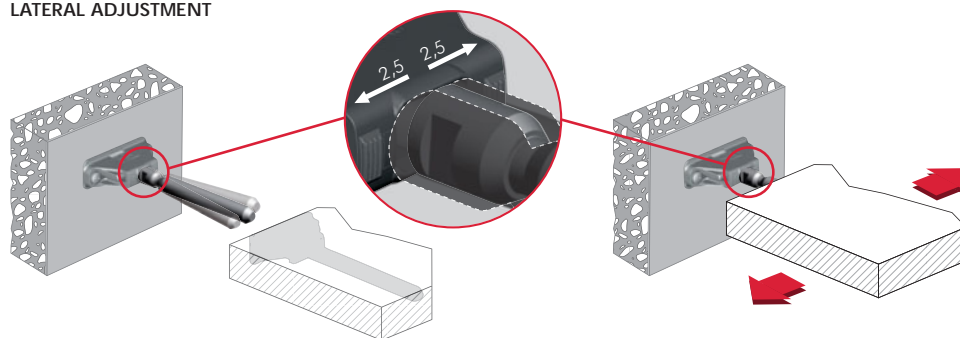
- to ensure the wall is of a suitable quality to hold the shelf fixing in place.
- to use the proper hardware fittings according to the construction of the wall.

For more specific information, please refer to the WARNINGS section at the end of the catalogue.

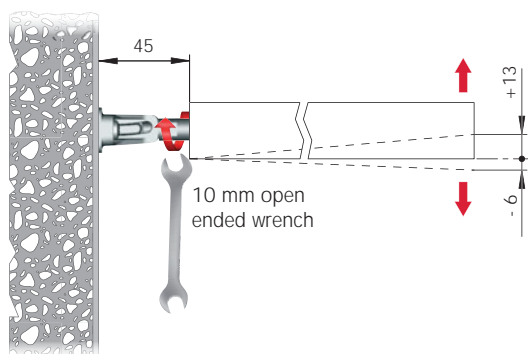
BRACKET ALIGNMENT



LATERAL ADJUSTMENT

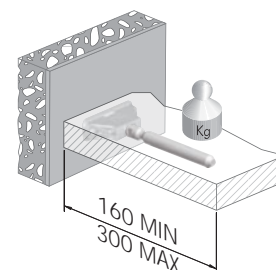
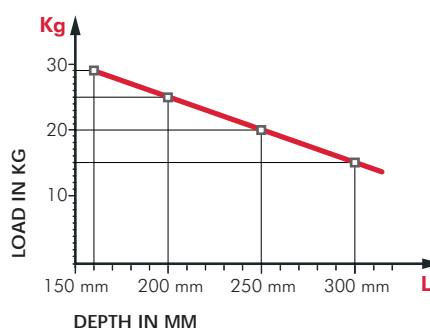



INCLINATION ADJUSTMENT

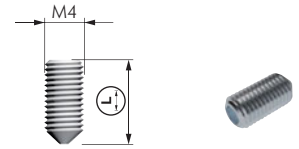
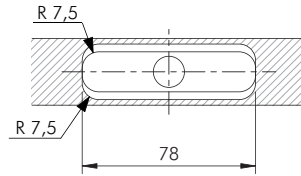
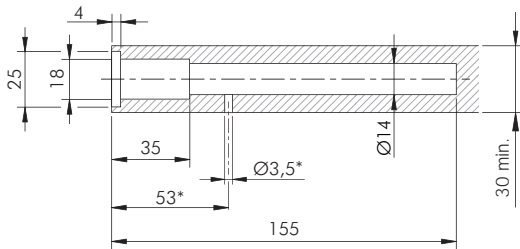
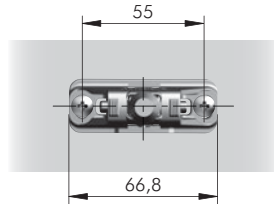
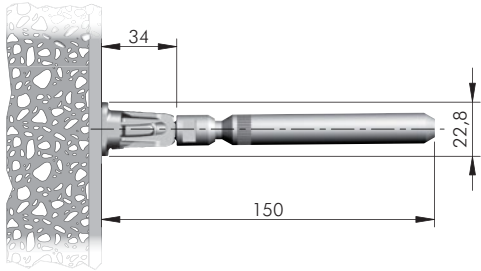


COMBINATION SHELF LOAD AND SHELF DEPTH

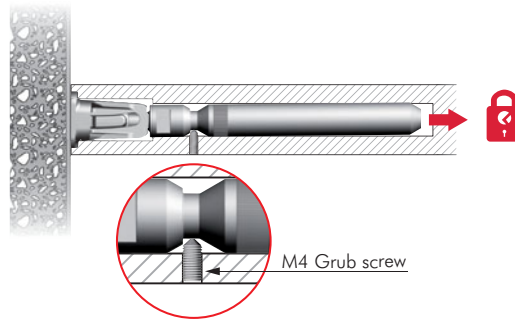
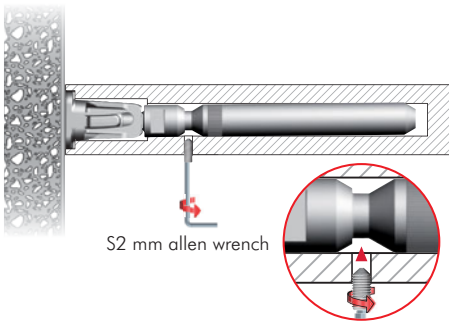
(The figures refer to 1 shelf support)



 + shelf weight = 15 kg MAX for each shelf support



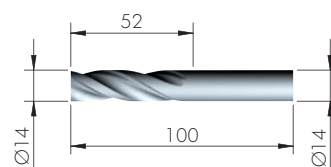
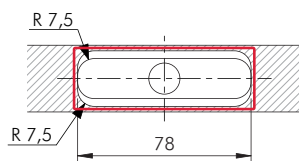
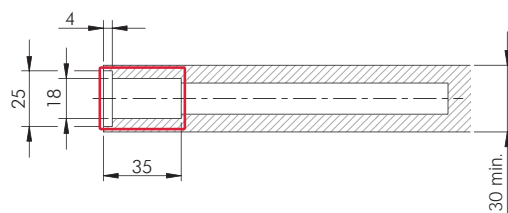
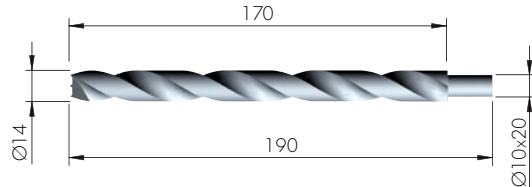
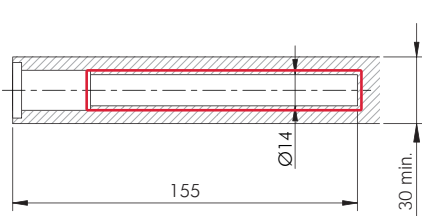
* Optional drilling for security locking with M4 grub screw placed underneath in alignment with the cavity.



= PZ2
 = open ended wrench 10 mm
 = 50 pcs.
1621501000

= S2 mm
 = 100 pcs.
21105180ZN | 10 | 30
21105220ZN | 16 | 40

DRILL BIT FOR TRIADE



= on request
1621452000

= on request
1621454000

TRIADE AND BRACKET

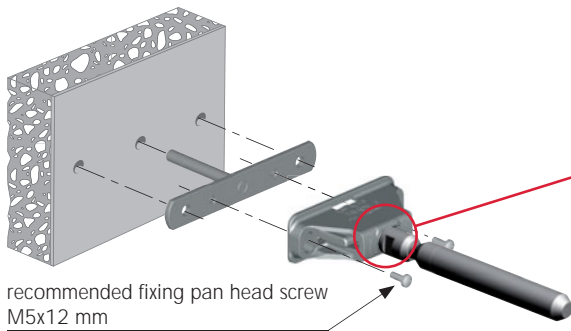
BRACKET FOR TRIADE with pin is a valid complement to the concealed shelf support Triade.

Ideal to improve the shelf support capacity loading by evenly distributing the shelf load on the wall through a Ø8mm pin.

The Ø8 mm pin allows to reduce the load taken by the two fixing screws.

INSTALLATION

SOLID AND PLASTERBOARD PANEL



VERY IMPORTANT

Triade has to be installed with the writing "TOP - ALTO" facing upwards.

It is the responsibility of the customer:

- to ensure the wall is of a suitable quality to hold the shelf fixing in place.
- to use the proper hardware fittings according to the construction of the wall.

For more specific information, please refer to the WARNINGS section at the end of the catalogue.



= PZ2



= open ended wrench 10 mm



ZA



ST



= 50 pcs.



1621501000



= M5



ST

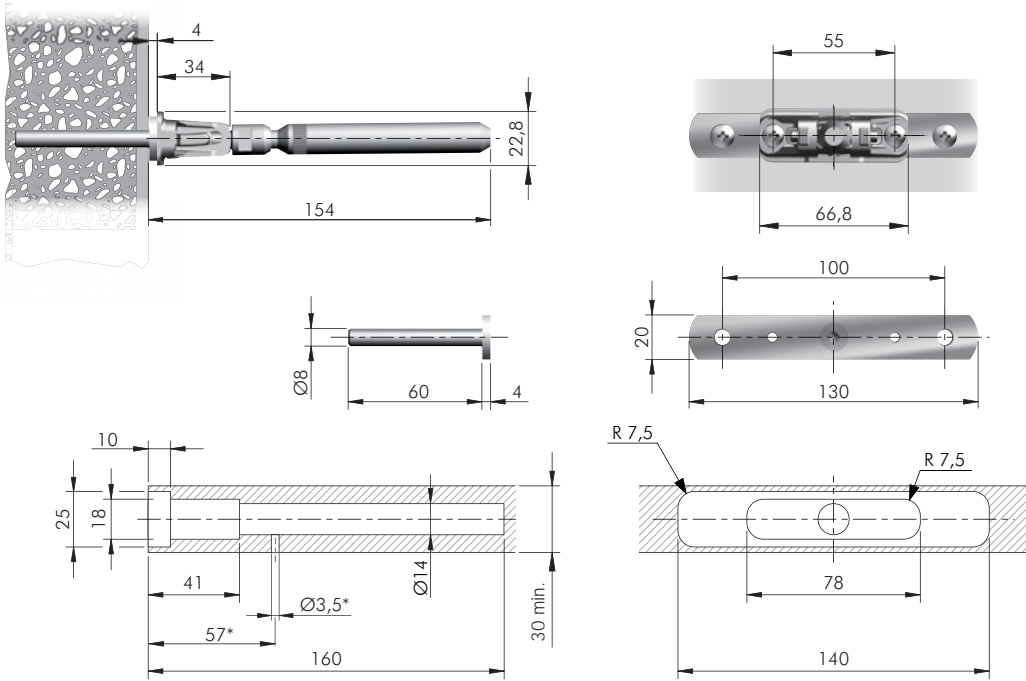


= 100 pcs.



16215020ZN





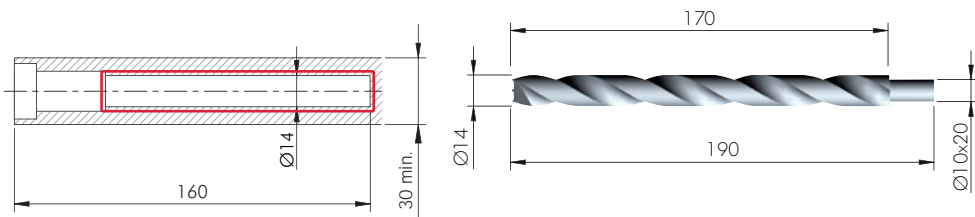
* Optional drilling for security locking with M4 grub screw placed underneath in alignment with the cavity. For details refer to Triade section.

TRIADE BRACKET FIXING ACCESSORY

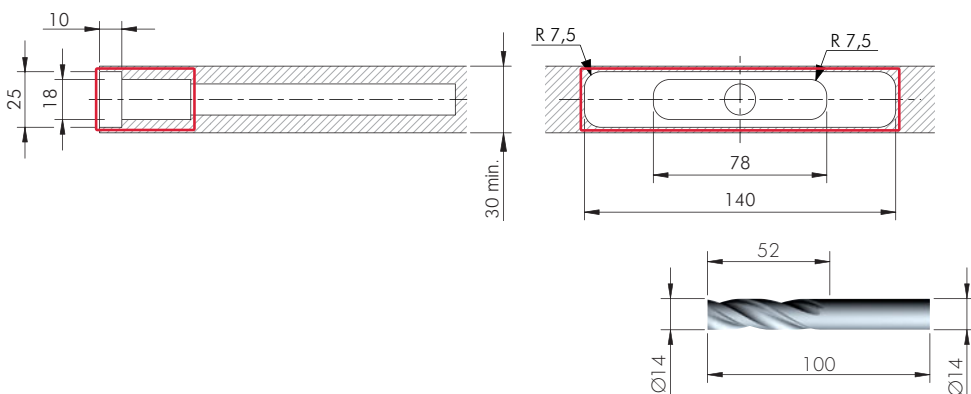


= M5	= PZ2	
= ST	= 7000 pcs.	
123		
60334030ZN		

DRILL BIT FOR TRIADE AND BRACKET

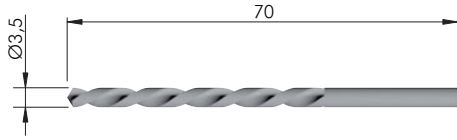


= HSS	= on request
123	
1621452000	



= HSS	= on request
123	
1621454000	

DRILL BIT



HSS	= on request
YOJG054100	

NOTE: For drilling jig we recommend to use precision-ground steel drill bit HSS-G.

COMPLETE SET DRILLING JIG FOR TRIADE

CONTENT OF THE CASE:

Part no.	Part no.
YOJG0130RO	YOJG0133RO
YOJG013500	YOJG055000
YOJG013600	YOJG054000
YOJG013700	YOJG054100
YOJG013800	
YOJG013900	



AL	ST	EP	= on request
YOJG0131RO			

SET WITH DRILLING JIG TRIADE AND DRILL BIT Ø14 mm (only template for Triade Regular)

CONTENT OF THE CASE:

Part no.
YOJG0130RO
YOJG013600
YOJG054000



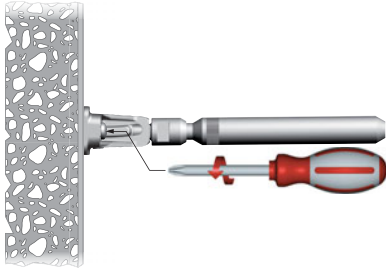
AL	ST	EP	= on request
YOJG0132RO			



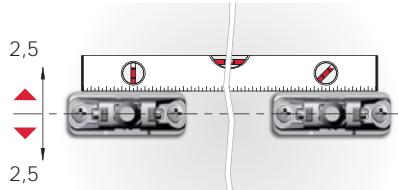
APPLICATION FOR ALL TRIADE VERSIONS

VERTICAL ADJUSTMENTS

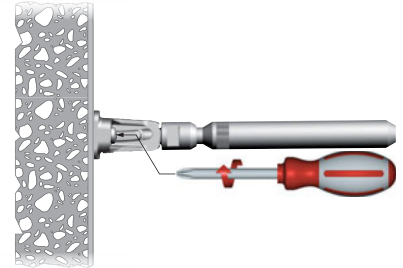
RELEASE THE FIXING SCREWS



ALIGN BRACKETS VERTICALLY ACCORDINGLY

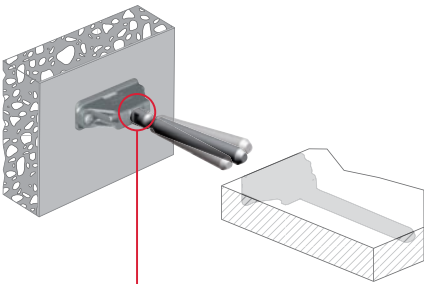


TIGHT THE FIXING SCREWS

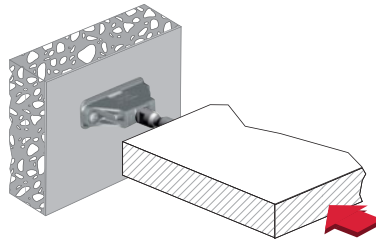


SHELF INSERTING AND LATERAL ADJUSTMENT

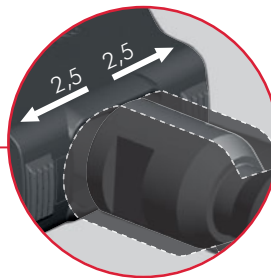
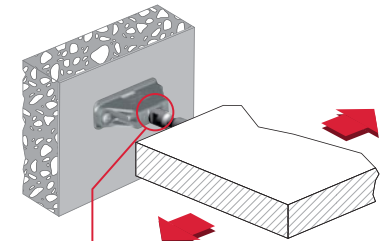
TILT THE SHELF TO MATCH BOTH SUPPORTING PINS AND SHELF HOUSINGS



INSERT PARTIALLY THE SHELF

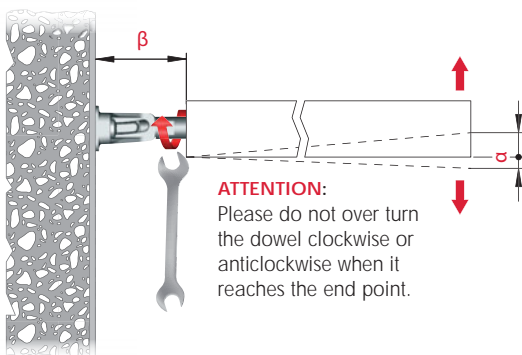


ADJUST THE SHELF Laterally ACCORDING TO THE APPLICATION (i.e. MULTI-SHELF COMPOSITION)



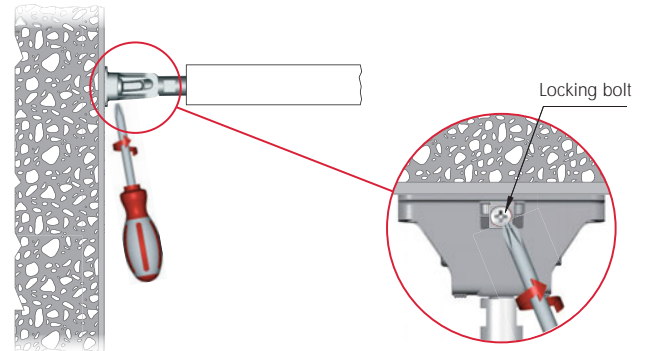
INCLINATION ADJUSTMENTS

TURN CLOCKWISE THE SUPPORTING PIN WITH A 10 - 12 mm OPEN-ENDED WRENCH TO ADJUST THE SHELF ANGLE FRONT TO BACK ACCORDINGLY



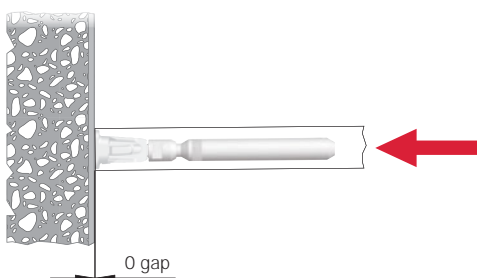
MODEL	β (mm)	α (mm)
TRIADE MINI	approx. 45	-6 +13
TRIADE	approx. 45	-6 +13
TRIADE MAXI	approx. 70	-8 +20
TRIADE XXL	approx. 70	-8 +20

SCREW THE LOCKING BOLT TO BLOCK THE PIN



SHELF INSERTING FOR ALL TRIADE MODELS

PUSH THE SHELF AGAINST THE WALL UNTIL THE END

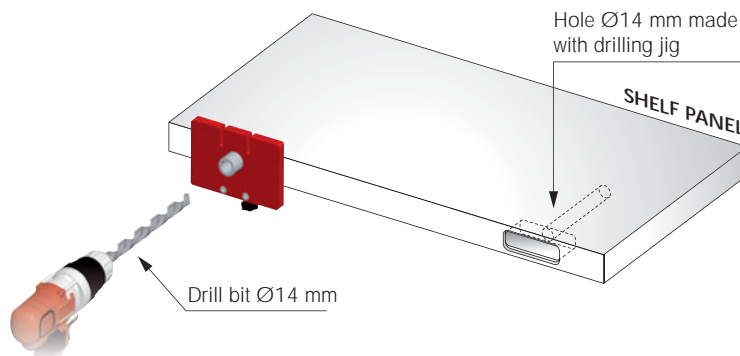
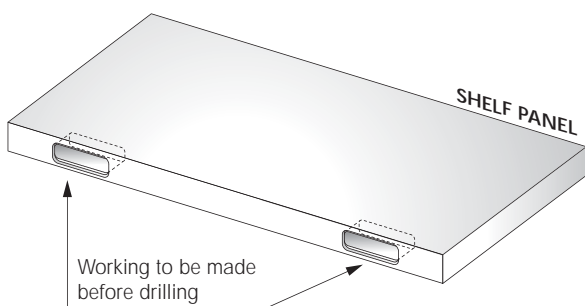


DRILLING JIG FOR TRIADE

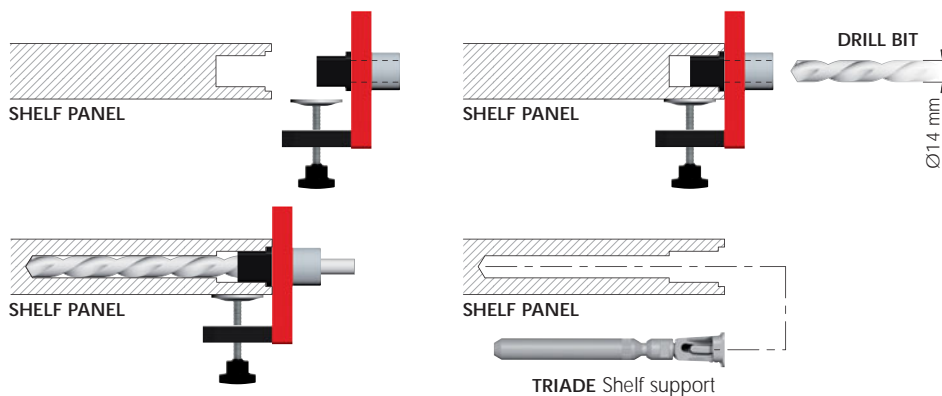
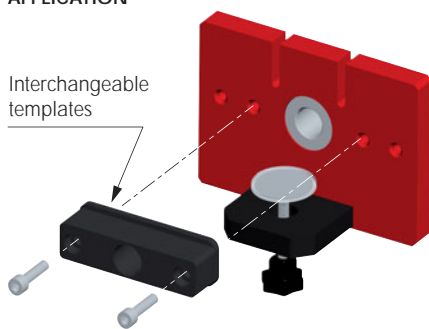


50 mm MAX 











GENERAL SPECIFICATIONS



APPLICATION



TEMPLATES AVAILABLE

TEMPLATE FOR TRIADE MINI Part no. YOJG013500	TEMPLATE FOR TRIADE Part no. YOJG013600	TEMPLATE FOR TRIADE MAXI Part no. YOJG013700	TEMPLATE FOR TRIADE MINI AND TRIADÉ ALUMINIUM PROFILE Part no. YOJG013800	TEMPLATE FOR TRIADE MAXI ALUMINIUM PROFILE Part no. YOJG013900
				
Triade Mini	Triade	Triade Maxi	Aluminium profile for Triade Mini and Triade	Aluminium profile for Triade Maxi
				
Triade Mini and Bracket	Triade and Bracket	Triade Maxi and Bracket	Triade Mini Triade	Triade Maxi



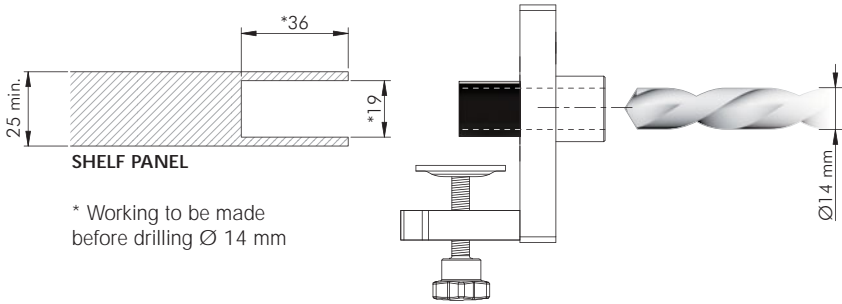
TRIADE DRILLING JIG



AL	ST	EP	= on request
YOJG0130RO			

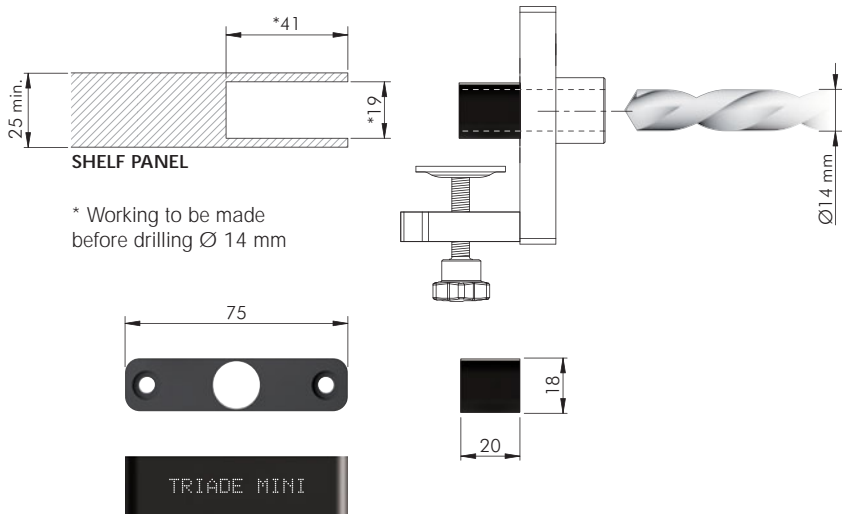
TRIADE DRILLING JIG TEMPLATES

TRIADE MINI DRILLING PLAN



EP	= on request
YOJG013500	

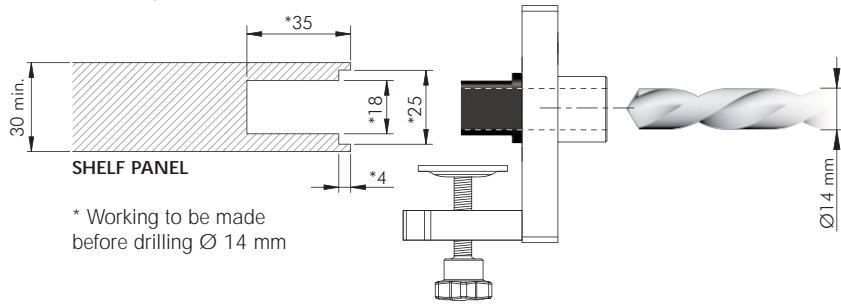
TRIADE MINI AND BRACKET DRILLING PLAN



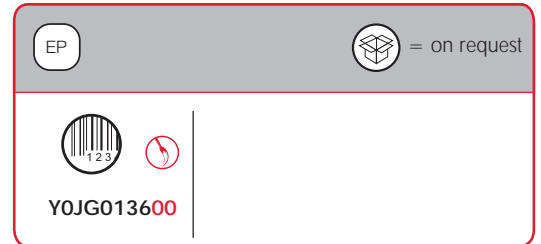
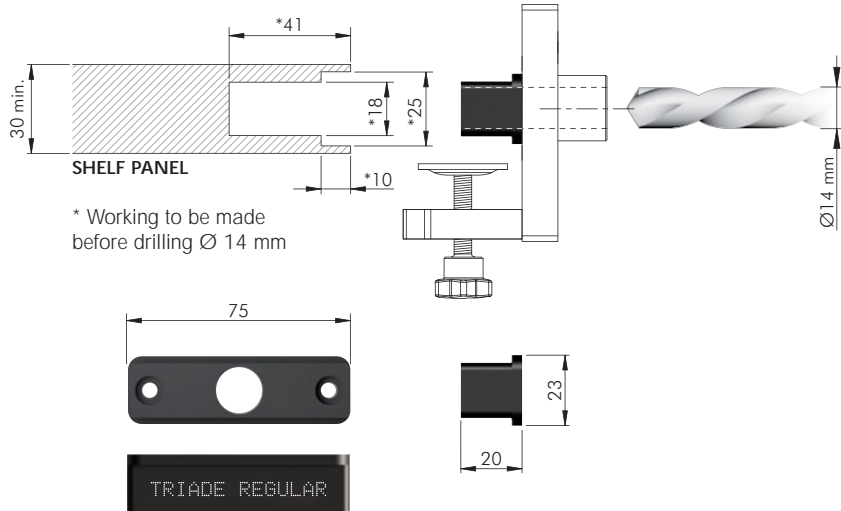
NOTE: The product code includes the fixing screws.



TRIADE DRILLING PLAN



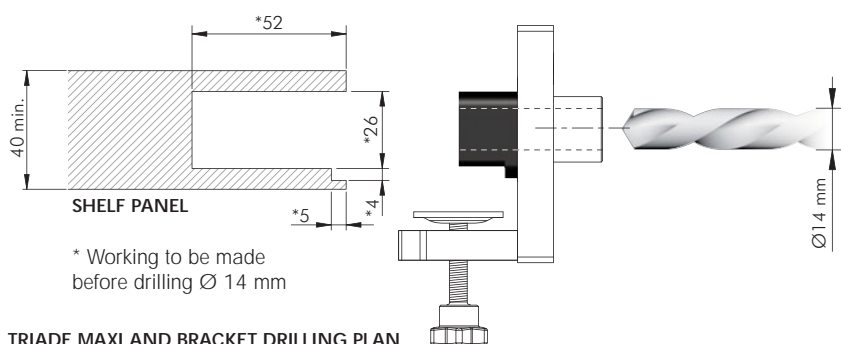
TRIADE AND BRACKET DRILLING PLAN



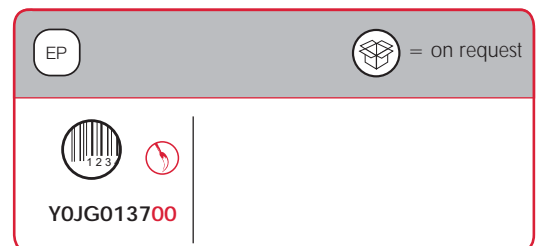
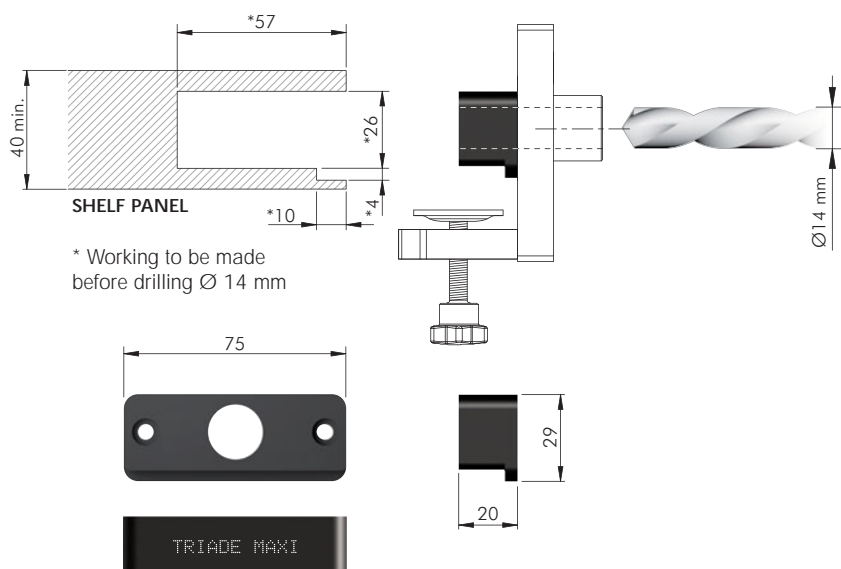
NOTE: The product code includes the fixing screws.



TRIADE MAXI DRILLING PLAN



TRIADE MAXI AND BRACKET DRILLING PLAN

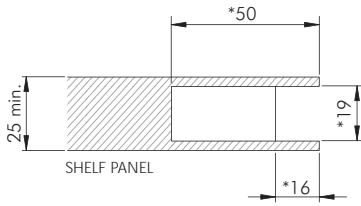


NOTE: The product code includes the fixing screws.

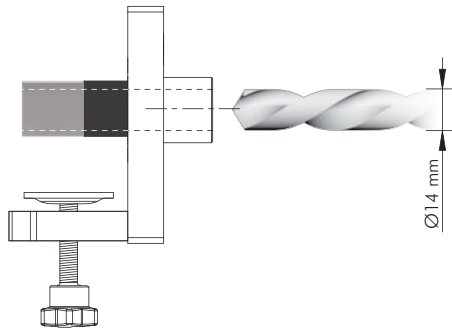




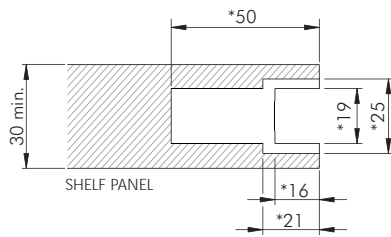
TRIADE MINI WITH ALU PROFILE DRILLING PLAN



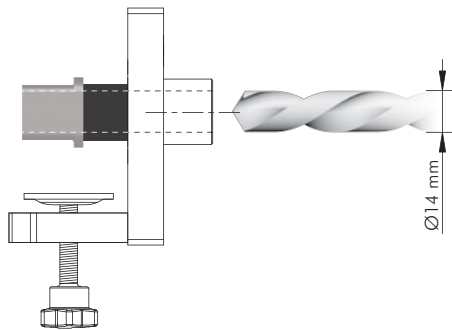
* Working to be made before drilling Ø 14 mm



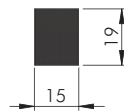
TRIADE WITH ALU PROFILE DRILLING PLAN



* Working to be made before drilling Ø 14 mm



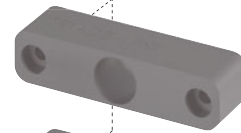
ALUMINIUM PROFILE TRIADE MINI
TRIARE REGULAR



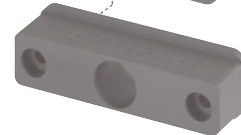
EP = on request

123

YOJG013800

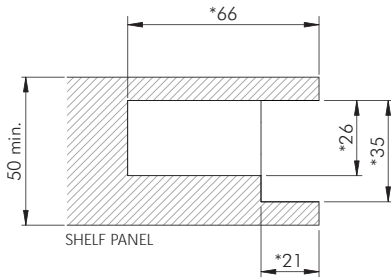


Template for Triade Mini
Part no. Y0JG013500

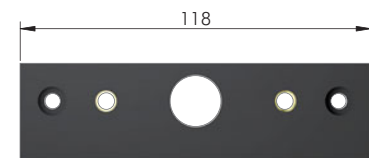
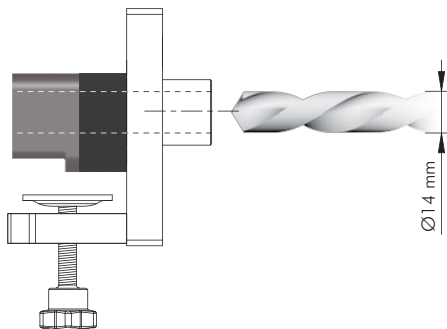


Template for Triade
Part no. Y0JG013600

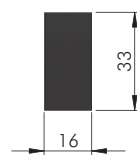
TRIADE MAXI DRILLING PLAN



* Working to be made before drilling Ø 14 mm



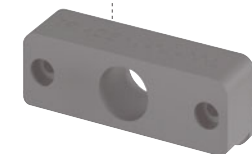
ALUMINIUM PROFILE TRIADE MAXI



EP = on request

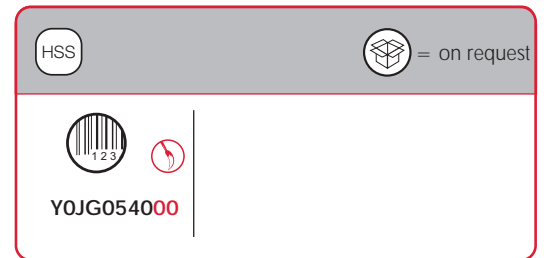
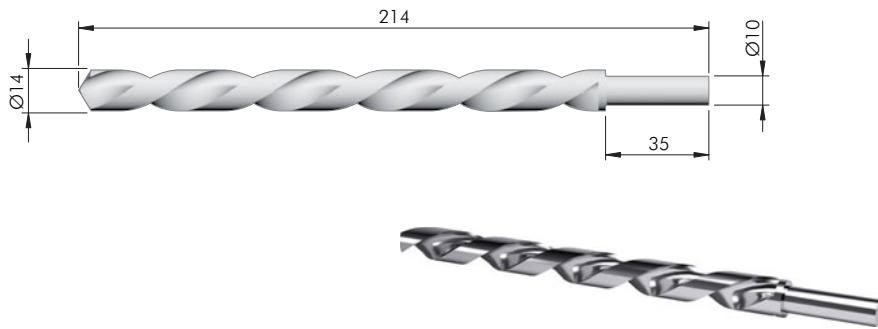
123

YOJG013900



Template for Triade Maxi
Part no. Y0JG013700

DRILL BIT



NOTE: For drilling jig we recommend to use precision-ground steel drill bit HSS-G.

COMPLETE KIT DRILLING JIG FOR TRIADE

CONTENT OF THE CASE:

Part no.	Part no.
YOJG0130RO	YOJG0133RO
YOJG013500	YOJG055000
YOJG013600	YOJG054000
YOJG013700	YOJG054100
YOJG013800	
YOJG013900	



BASE KIT DRILLING JIG TRIADE AND DRILL BIT (only template for Triade Regular)

CONTENT OF THE CASE:

Part no.
YOJG0130RO
YOJG013600
YOJG054000

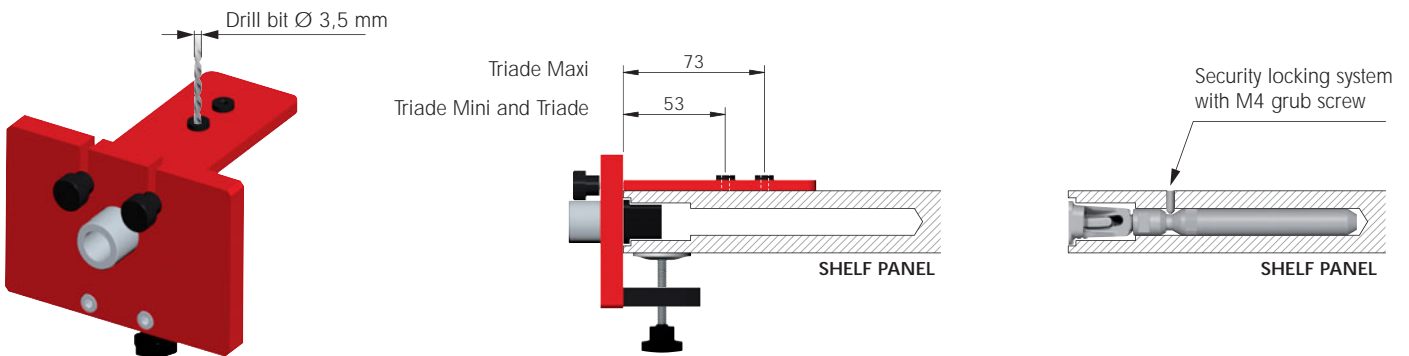
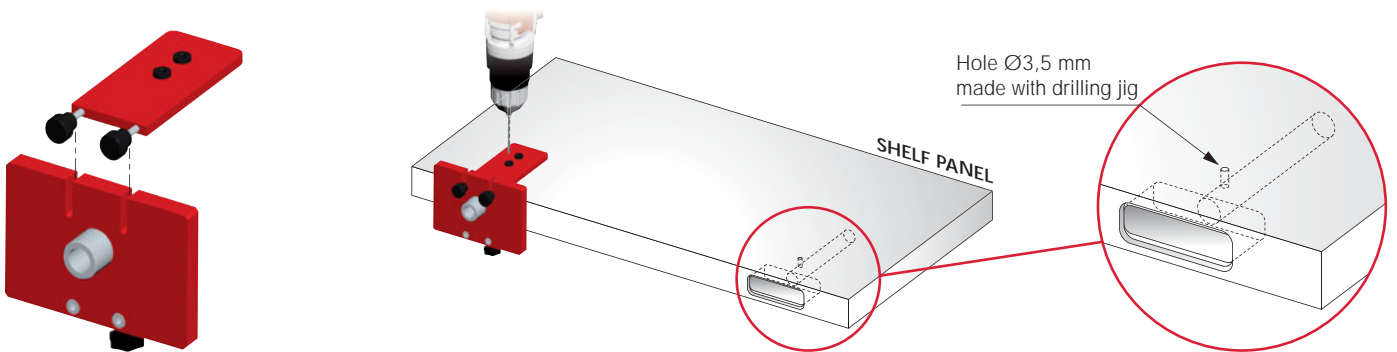





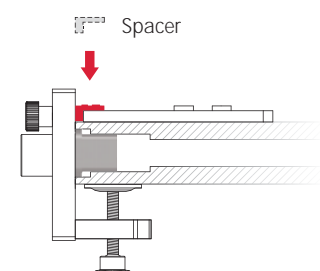
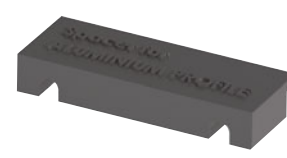
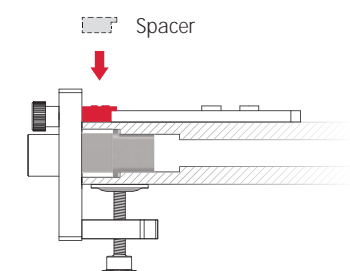





TRIADE DRILLING JIG INSERT FOR SECURITY LOCKING



GENERAL SPECIFICATIONS



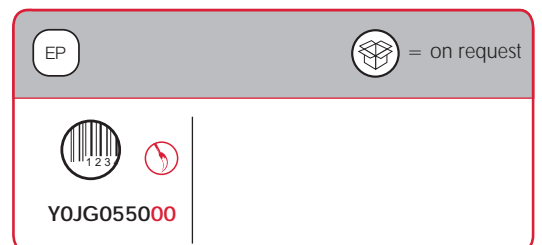
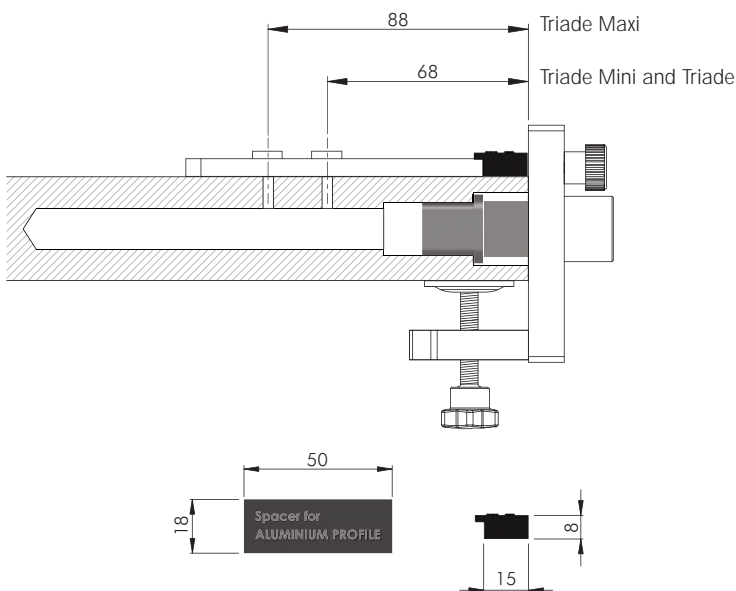
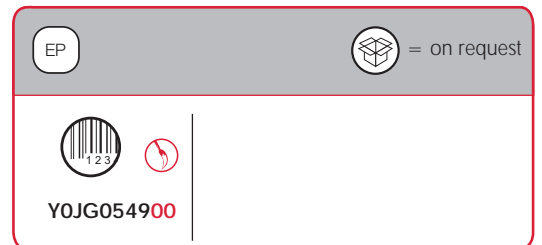
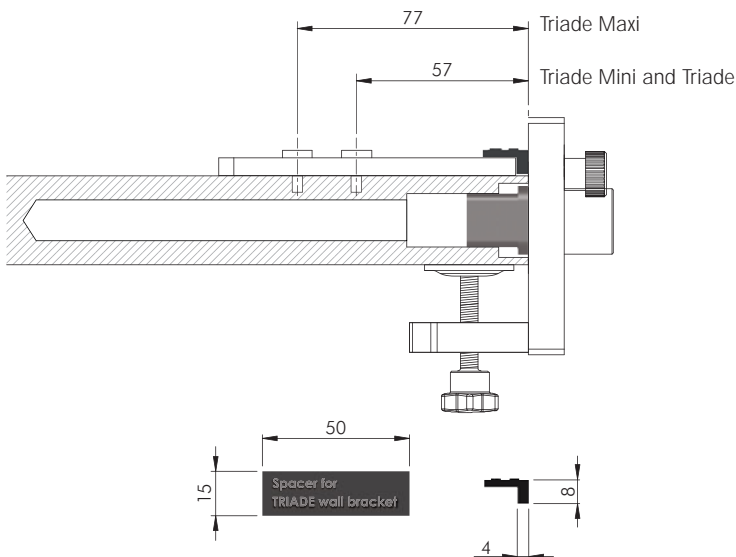
SPACERS AVAILABLE

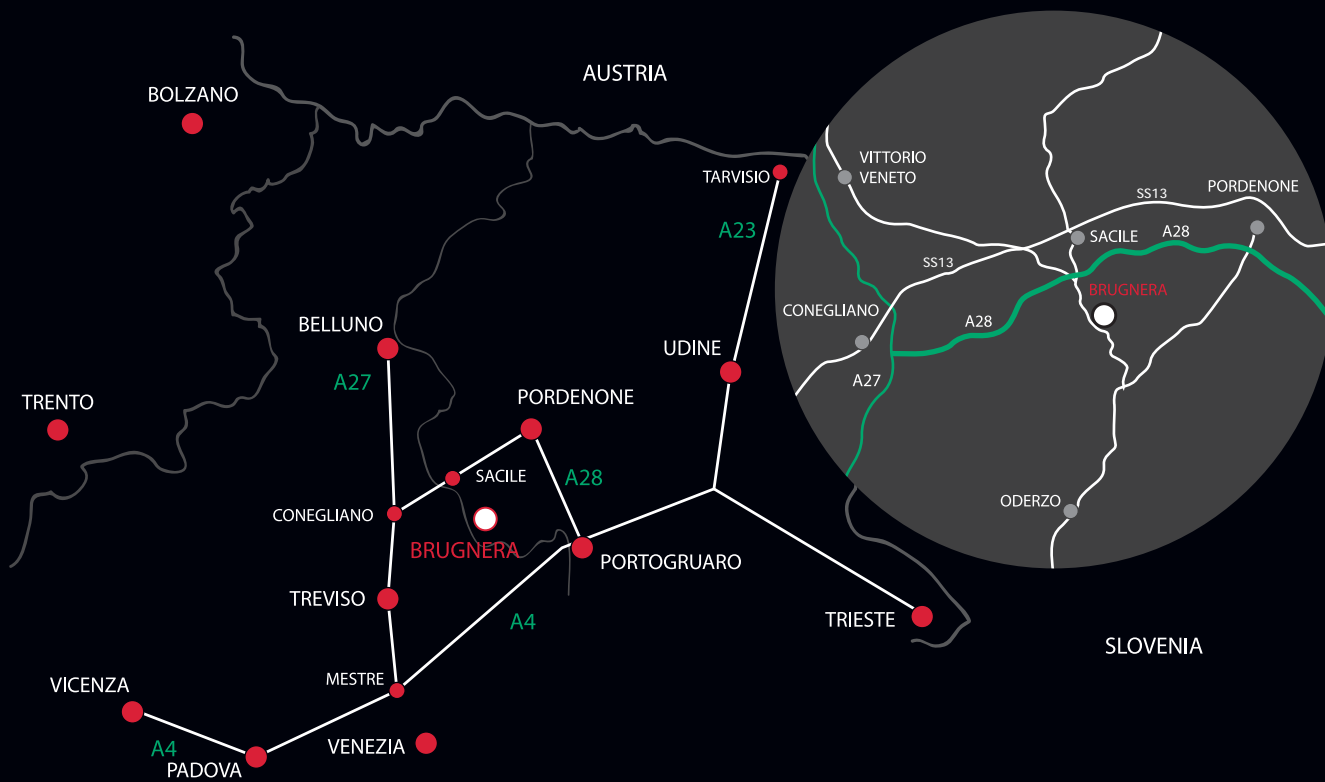
<p>SPACER FOR TRIADE WALL BRACKETS Part no. YOJG054900</p> 	 <p>Spacer</p>	<p>SPACER FOR TRIADE ALUMINIUM PROFILES Part no. YOJG055000</p> 	 <p>Spacer</p>
 <p>Triade Mini and bracket</p>  <p>Triade and bracket</p>  <p>Triade Maxi and bracket</p>		 <p>Aluminium profile for Triade Mini and Triade</p>	 <p>Aluminium profile for Triade Maxi</p>

DRILLING JIG INSERT FOR SECURITY LOCKING



SPACERS FOR SECURITY LOCKING





www.italianaferramenta.it