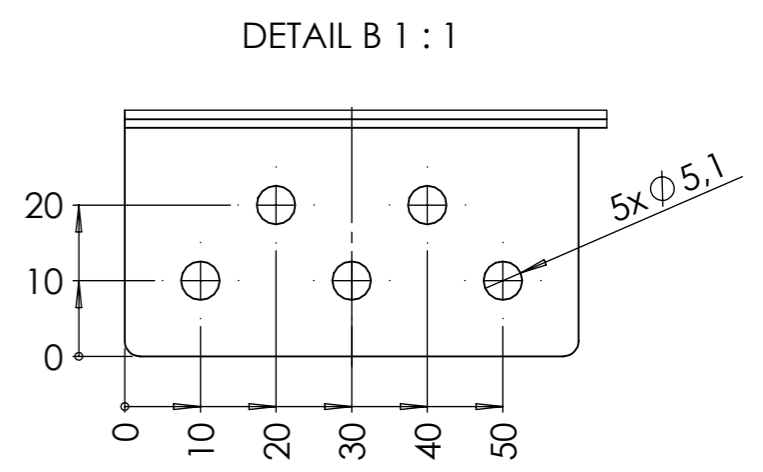
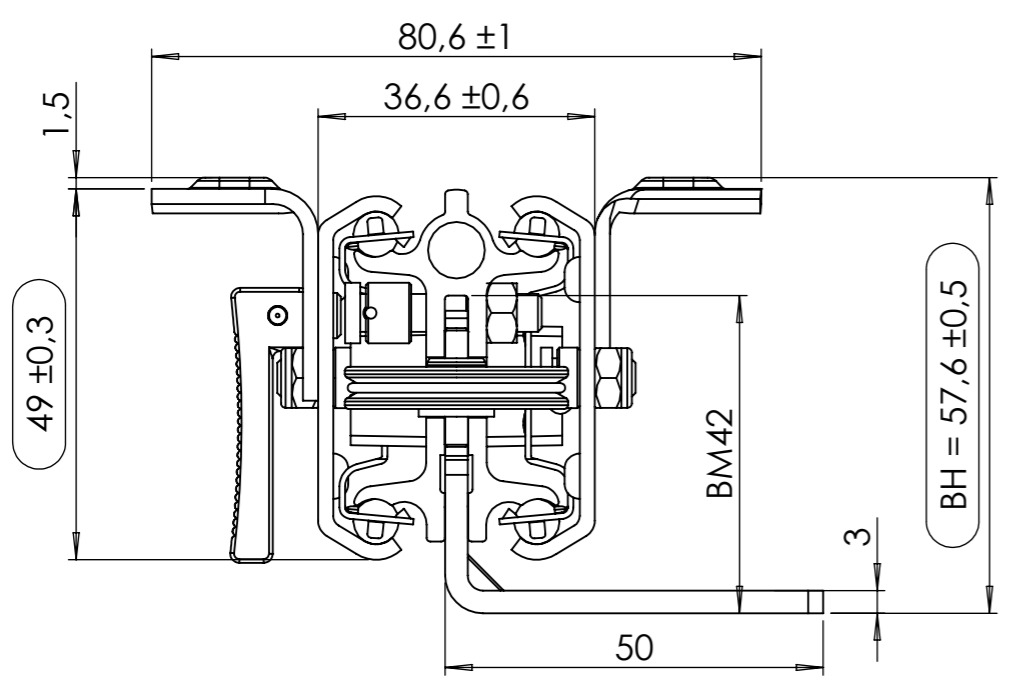
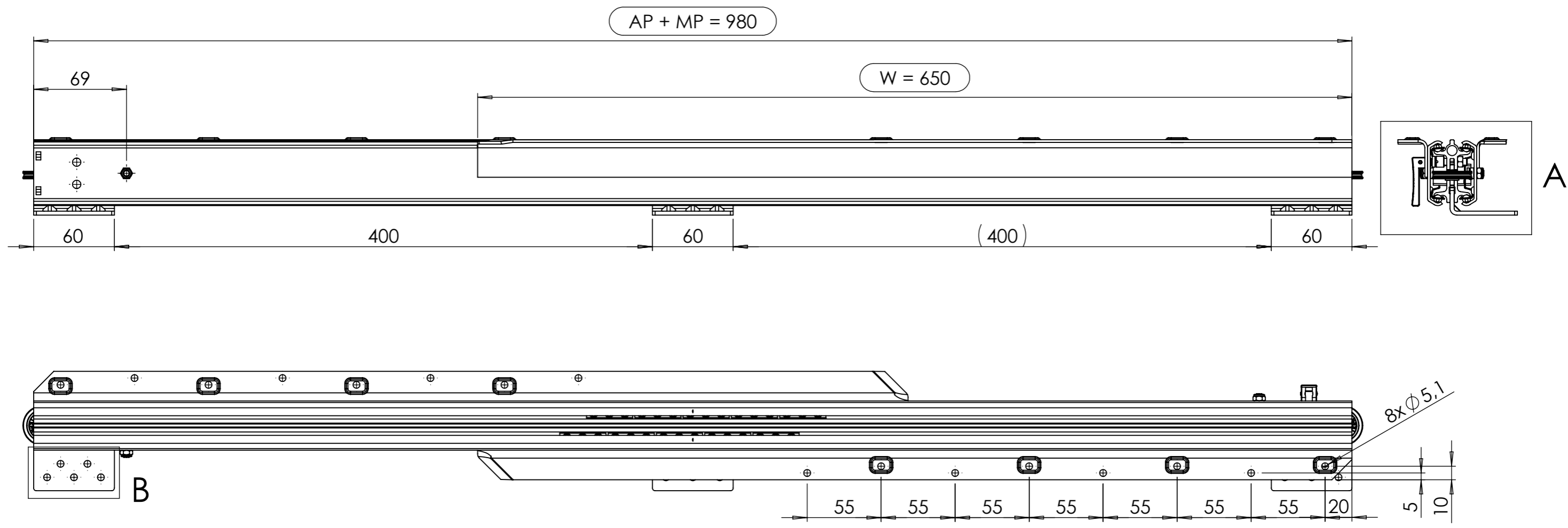
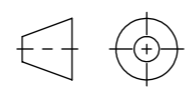



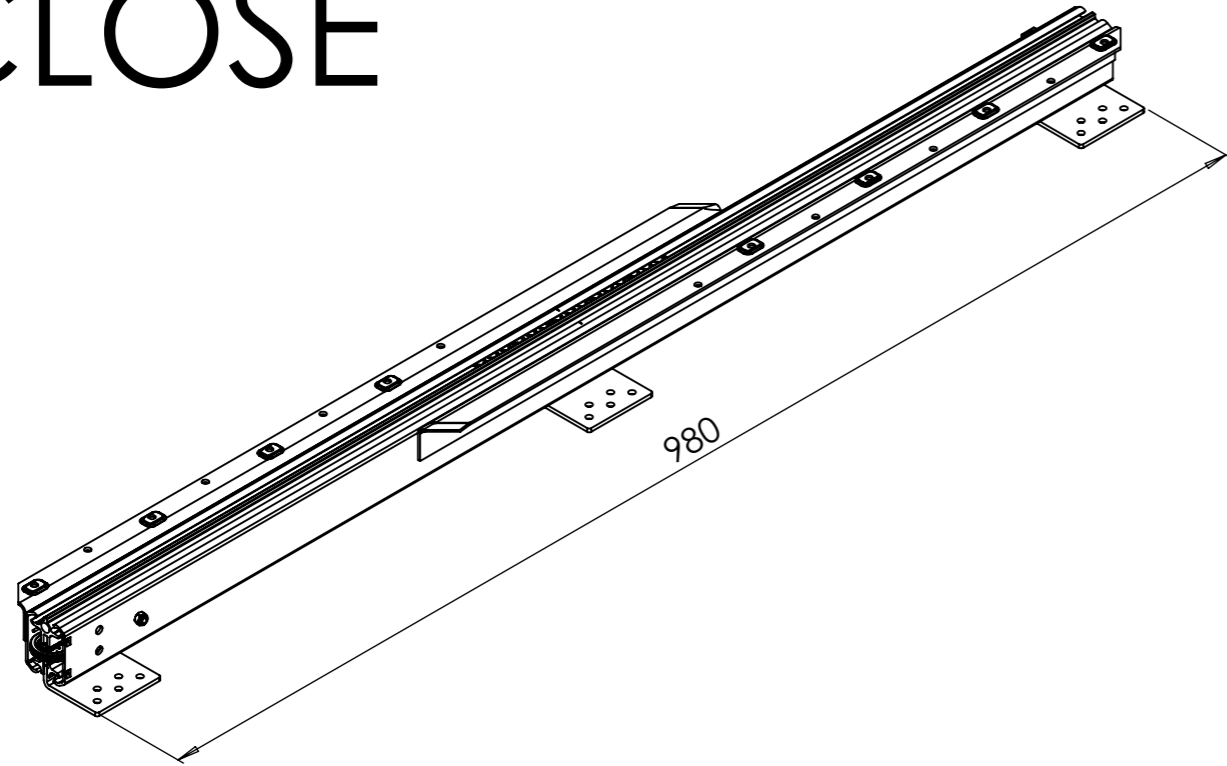
All property rights and rights to exploitation of copyright for this drawing data remain ours; they may not be made available to third parties without our consent.



opening : ca. 1543 mm

Index	Change			Date	Name
 DIN ISO 128-30	<b>Description:</b> K-SB/980.4/980.A4/W650/KK5/BH58				
	Surface: diverse		Material: diverse		Weight: 4.15 kg
 Transforming furniture	Name	Date	Company		
	Signed	Jakub P.	21.10.2021	HRANIPEX	
	Tested		Second Company:		
General tolerance: DIN ISO 2768 - m		Item No:	<b>47098918</b>	Scale 1:3	Page 1/3
					<b>A3</b>

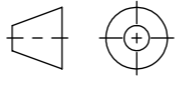

# CLOSE



# OPEN

ca. 2523  
 OPENING = ca. 1543

All property rights and rights to exploitation of copyright for this drawing data remain ours; they may not be made available to third parties without our consent.

 DIN ISO 128-30	<b>Description:</b> K-SB/980.4/980.A4/W650/KK5/BH58				
	Surface: diverse		Material: diverse		Weight: 4.15 kg
 Transforming furniture	<b>Name</b>	<b>Date</b>	<b>Company</b>		
	Signed Jakub P.	21.10.2021	HRANIPEX		
	Tested	Second Company:	Second Company:		
General tolerance: DIN ISO 2768 - m		Item No: <b>47098918</b>	Scale 1:5	Page 2/3	<b>A3</b>