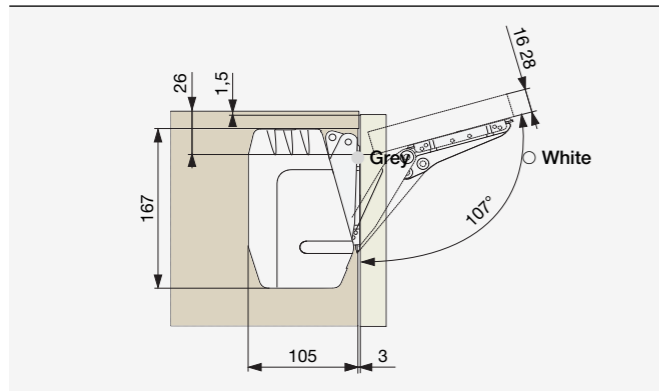


● FREEflap Mini and FREEflap Forte

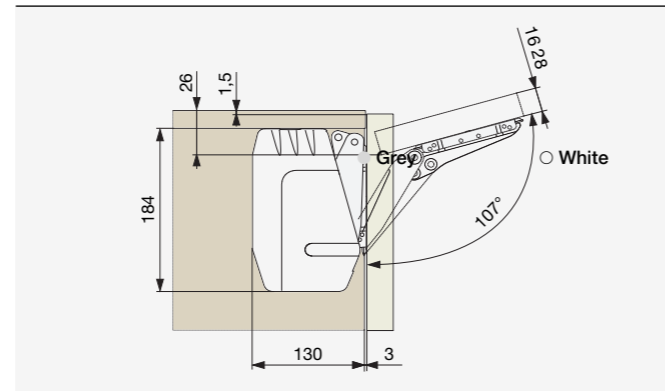


● FREEflap Mini



FREEflap Mini

● FREEflap Forte



FREEflap Forte

Door weight calculation:

Thickness [m] × Width [m] × Length [m] × Material density = Door weight [kg]

Material density [kg/m³]	
Chipboard	MDF
680	760

Door height [mm]	Door weight* [kg]	Door weight for PTO [kg]	Colour		Door height [mm]	Door weight* [kg]	Door weight for PTO [kg]	Colour	
			Grey	White				Grey	White
200	1.7 - 4.6	×	F008097	F008098	425 - 450	0.6 - 1.7	×	F008097	F008098
	3.7 - 7.9	×	F008099	F008100		1.4 - 3.2	×	F008099	F008100
	6.8 - 14.7	×	F008101	F008102		2.7 - 6.1	×	F008101	F008102
200 - 225	1.5 - 4.1	×	F008097	F008098	450 - 475	4.1 - 8.4	4.7 - 9.6	F008087	F008088
	3.1 - 7.1	×	F008099	F008100		5.2 - 10.9	5.9 - 12.4	F008089	F008090
	6.0 - 13.1	×	F008101	F008102		7.8 - 16.3	8.9 - 18.6	F008091	F008092
225 - 250	1.3 - 3.8	×	F008097	F008098	475 - 500	10.4 - 20.5	11.8 - 23.3	F008093	F008094
	2.9 - 6.4	×	F008099	F008100		3.9 - 8.0	4.1 - 8.4	F008087	F008088
	5.4 - 11.8	×	F008101	F008102		4.9 - 10.3	5.2 - 10.9	F008089	F008090
250 - 275	1.2 - 3.3	1.3 - 3.8	F008097	F008098	500 - 525	7.4 - 15.4	7.8 - 16.3	F008091	F008092
	2.5 - 5.7	2.9 - 6.4	F008099	F008100		9.8 - 19.3	10.4 - 20.5	F008093	F008094
	4.8 - 10.6	5.4 - 11.8	F008101	F008102		3.7 - 7.5	4.1 - 8.4	F008087	F008088
275 - 300	1.1 - 3.1	1.2 - 3.3	F008097	F008098	525 - 550	4.7 - 9.7	5.2 - 10.9	F008089	F008090
	2.4 - 5.1	2.5 - 5.7	F008099	F008100		7.0 - 14.6	7.8 - 16.3	F008091	F008092
	4.4 - 9.6	4.8 - 10.6	F008101	F008102		9.2 - 18.3	10.4 - 20.5	F008093	F008094
300 - 325	1.0 - 2.8	1.1 - 3.1	F008097	F008098	550 - 575	3.5 - 7.1	3.7 - 7.5	F008087	F008088
	2.1 - 4.6	2.4 - 5.1	F008099	F008100		4.4 - 9.2	4.7 - 9.7	F008089	F008090
	4.0 - 8.8	4.4 - 9.6	F008101	F008102		6.6 - 13.9	7.0 - 14.6	F008091	F008092
325 - 350	0.9 - 2.6	1.0 - 2.8	F008097	F008098	575 - 600	8.8 - 17.3	9.2 - 18.3	F008093	F008094
	2.0 - 4.2	2.1 - 4.6	F008099	F008100		3.3 - 6.8	3.7 - 7.5	F008087	F008088
	3.7 - 8.1	4.0 - 8.8	F008101	F008102		4.2 - 8.8	4.7 - 9.7	F008089	F008090
350 - 375	5.2 - 11.0	×	F008087	F008088	600 - 625	6.3 - 13.2	7.0 - 14.6	F008091	F008092
	6.7 - 14.3	×	F008089	F008090		8.3 - 16.5	9.2 - 18.3	F008093	F008094
	10.1 - 21.4	×	F008091	F008092		3.2 - 6.5	3.3 - 6.8	F008087	F008088
375 - 400	13.5 - 27.3	×	F008093	F008094	625 - 650	4.0 - 8.4	4.2 - 8.8	F008089	F008090
	0.9 - 2.3	0.9 - 2.6	F008097	F008098		6.0 - 12.5	6.3 - 13.2	F008091	F008092
	1.9 - 3.8	2.0 - 4.2	F008099	F008100		8.0 - 15.6	8.3 - 16.5	F008093	F008094
400 - 425	3.5 - 7.5	3.7 - 8.1	F008101	F008102	650 - 675	3.0 - 6.2	3.3 - 6.8	F008087	F008088
	4.9 - 10.2	×	F008087	F008088		3.8 - 8.0	4.2 - 8.8	F008089	F008090
	6.3 - 13.1	×	F008089	F008090		5.7 - 12.0	6.3 - 13.2	F008091	F008092
425 - 450	9.4 - 19.8	×	F008091	F008092	675 - 700	7.6 - 15.0	8.3 - 16.5	F008093	F008094
	12.5 - 25.2	×	F008093	F008094		2.8 - 5.9	3.0 - 6.2	F008087	F008088
	0.8 - 2.1	0.9 - 2.3	F008097	F008098		3.6 - 7.6	3.8 - 8.0	F008089	F008090
450 - 475	1.7 - 3.6	1.9 - 3.8	F008099	F008100	700 - 725	5.4 - 11.5	5.7 - 12.0	F008091	F008092
	3.2 - 7.0	3.5 - 7.5	F008101	F008102		7.2 - 14.4	7.6 - 15.0	F008093	F008094
	4.7 - 9.6	×	F008087	F008088		2.6 - 5.6	3.0 - 6.2	F008087	F008088
475 - 500	5.9 - 12.4	×	F008089	F008090	725 - 750	3.4 - 7.3	3.8 - 8.0	F008089	F008090
	8.9 - 18.6	×	F008091	F008092		5.3 - 11.0	5.7 - 12.0	F008091	F008092
	11.8 - 23.3	×	F008093	F008094		6.9 - 14.0	7.6 - 15.0	F008093	F008094
500 - 525	0.7 - 1.9	0.8 - 2.1	F008097	F008098	750 - 775	0.7 - 1.9	0.8 - 2.1	F008097	F008098
	1.5 - 3.4	1.7 - 3.6	F008099	F008100		1.5 - 3.4	1.7 - 3.6	F008099	F008100
	2.9 - 6.5	3.2 - 7.0	F008101	F008102		2.9 - 6.5	3.2 - 7.0	F008101	F008102
525 - 550	4.4 - 9.0	4.7 - 9.6	F008087	F008088	775 - 800	4.4 - 9.0	4.7 - 9.6	F008087	F008088
	5.6 - 11.6	5.9 - 12.4	F008089	F008090		5.6 - 11.6	5.9 - 12.4	F008089	F008090
	8.3 - 17.4	8.9 - 18.6	F008091	F008092		8.3 - 17.4	8.9 - 18.6	F008091	F008092
550 - 575	11.0 - 21.8	11.8 - 23.3	F008093	F008094	800 - 825	11.0 - 21.8	11.8 - 23.3	F008093	F008094
	0.7 - 1.9	0.8 - 2.1	F008097	F008098		0.7 - 1.9	0.8 - 2.1	F008097	F008098
	1.5 - 3.4	1.7 - 3.6	F008099	F008100		1.5 - 3.4	1.7 - 3.6	F008099	F008100
575 - 600	2.9 - 6.5	3.2 - 7.0	F008101	F008102	825 - 850	2.9 - 6.5	3.2 - 7.0	F008101	F008102
	4.4 - 9.0	4.7 - 9.6	F008087	F008088		4.4 - 9.0	4.7 - 9.6	F008087	F008088
	5.6 - 11.6	5.9 - 12.4	F008089	F008090		5.6 - 11.6	5.9 - 12.4	F008089	F008090
600 - 625	8.3 - 17.4	8.9 - 18.6	F008091	F008092	850 - 875	8.3 - 17.4	8.9 - 18.6	F008091	F008092
	11.0 - 21.8	11.8 - 23.3	F008093	F008094		11.0 - 21.8	11.8 - 23.3	F008093	F008094
	0.7 - 1.9	0.8 - 2.1	F008097	F008098		0.7 - 1.9	0.8 - 2.1	F008097	F008098
625 - 650	1.5 - 3.4	1.7 - 3.6	F008099	F008100	875 - 900	1.5 - 3.4	1.7 - 3.6	F008099	F008100
	2.9 - 6.5	3.2 - 7.0	F008101	F008102		2.9 - 6.5	3.2 - 7.0	F008101	F008102
	4.4 - 9.0	4.7 - 9.6	F008087	F008088		4.4 - 9.0	4.7 - 9.6	F008087	F008088
650 - 675	5.6 - 11.6	5.9 - 12.4	F008089	F008090	900 - 925	5.6 - 11.6	5.9 - 12.4	F008089	F008090
	8.3 - 17.4	8.9 - 18.6	F008091	F008092		8.3 - 17.4	8.9 - 18.6	F008091	F008092
	11.0 - 21.8	11.8 - 23.3	F008093	F008094		11.0 - 21.8	11.8 - 23.3	F008093	F008094
675 - 700	0.7 - 1.9	0.8 - 2.1	F008097	F008098	925 - 950	0.7 - 1.9	0.8 - 2.1	F008097	F008098
	1.5 - 3.4	1.7 - 3.6	F008099	F008100		1.5 - 3.4	1.7 - 3.6	F008099	F008100
	2.9 - 6.5	3.2 - 7.0	F008101	F008102		2.9 - 6.5	3.2 - 7.0	F008101	F008102
700 - 725	4.4 - 9.0	4.7 - 9.6	F008087	F008088	950 - 975	4.4 - 9.0	4.7 - 9.6	F008087	F008088
	5.6 - 11.6	5.9 - 12.4	F008089	F008090		5.6 - 11.6	5.9 - 12.4	F008089	F008090
	8.3 - 17.4	8.9 - 18.6	F008091	F008092		8.3 - 17.4	8.9 - 18.6	F008091	F008092
725 - 750	11.0 - 21.8	11.8 - 23.3	F008093	F008094	975 - 1000	11.0 - 21.8	11.8 - 23.3	F008093	F008094
	0.7 - 1.9	0.8 - 2.1	F008097	F008098		0.7 - 1.9	0.8 - 2.1	F008097	F008098
	1.5 - 3.4	1.7 - 3.6	F008099	F008100		1.5 - 3.4	1.7 - 3.6	F008099	F008100
750 - 775	2.9 - 6.5	3.2 - 7.0	F008101	F008102	1000 - 1025	2.9 - 6.5	3.2 - 7.0	F008101	F008102
	4.4 - 9.0	4.7 - 9.6	F008087	F008088		4.4 - 9.0	4.7 - 9.6	F008087	F008088
	5.6 - 11.6	5.9 - 12.4	F008089	F008090		5.6 - 11.6	5.9 - 12.4	F008089	F008090
775 - 800	8.3 - 17.4	8.9 - 18.6	F008091	F008092	1025 - 1050	8.3 - 17.4	8.9 - 18.6	F008091	F008092
	11.0 - 21.8	11.8 - 23.3	F008093	F008094		11.0 - 21.8	11.8 - 23.3	F008093	F008094
	0.7 - 1.9	0.8 - 2.1	F008097	F008098		0.7 - 1.9	0.8 - 2.1	F008097	F008098
800 - 825	1.5 - 3.4	1.7 - 3.6	F008099	F008100	1050 - 1075	1.5 - 3.4	1.7 - 3.6	F008099	F008100
	2.9 - 6.5	3.2 - 7.0	F008101	F008102		2.9 - 6.5	3.2 - 7.0	F008101	F008102
	4.4 - 9.0	4.7 - 9.6	F008087	F008088		4.4 - 9.0	4.7 - 9.6	F008087	F008088
825 - 850	5.6 - 11.6	5.9 - 12.4	F008089	F008090	1075 - 1100	5.6 - 11.6	5.9 - 12.4	F008089	F008090
	8.3 - 17.4	8.9 - 18.6	F008091	F008092		8.3 - 17.4	8.9 - 18.6	F008091	F008092
	11.0 - 21.8	11.8 - 23.3	F008093	F008094		11.0 - 21.8	11.8 - 23.3	F008093	F008094
850 - 875	0.7 - 1.9	0.8 - 2.1	F008097	F008098	1100 - 1125	0.7 - 1.9	0.8 - 2.1	F008097	F008098
	1.5 - 3.4	1.7 - 3.6	F008099	F008100		1.5 - 3.4	1.7 - 3.6	F008099	F008100
	2.9 - 6.5	3.2 - 7.0	F008101	F008102		2.9 - 6.5	3.2 - 7.0	F008101	F008102
875 - 900	4.4 - 9.0	4.7 - 9.6	F008087	F008088	1125 - 1150	4.4 - 9.0	4.7 - 9.6	F008087	F008088
	5.6 - 11.6	5.9 - 12.4	F008089	F008090		5.6 - 11.6	5.9 - 12.4	F008089	F008090
	8.3 - 17.4	8.9 - 18.6	F008091	F008092		8.3 - 17.4	8.9 - 18.6	F008091	F008092
900 - 925	11.0 - 21.8	11.8 - 23.3	F008093	F008094	1150 - 1175	11.0 - 21.8	11.8 - 23.3	F008093	F008094
	0.7 - 1.9	0.8 - 2.1	F008097	F008098		0.7 - 1.9	0.8 - 2.1	F008097	F008098
	1.5 - 3.4	1.7 - 3.6	F008099	F008100		1.5 - 3.4	1.7 - 3.6	F008099	F008100
925 - 950	2.9 - 6.5	3.2 - 7.0	F008101	F008102	1175 - 1200	2.9 - 6.5	3.2 - 7.0	F008101	F008102
	4.4 - 9.0	4.7 - 9.6	F008087	F008088		4.4 - 9.0	4.7 - 9.6	F008087	F008088
	5.6 - 11.6	5.							