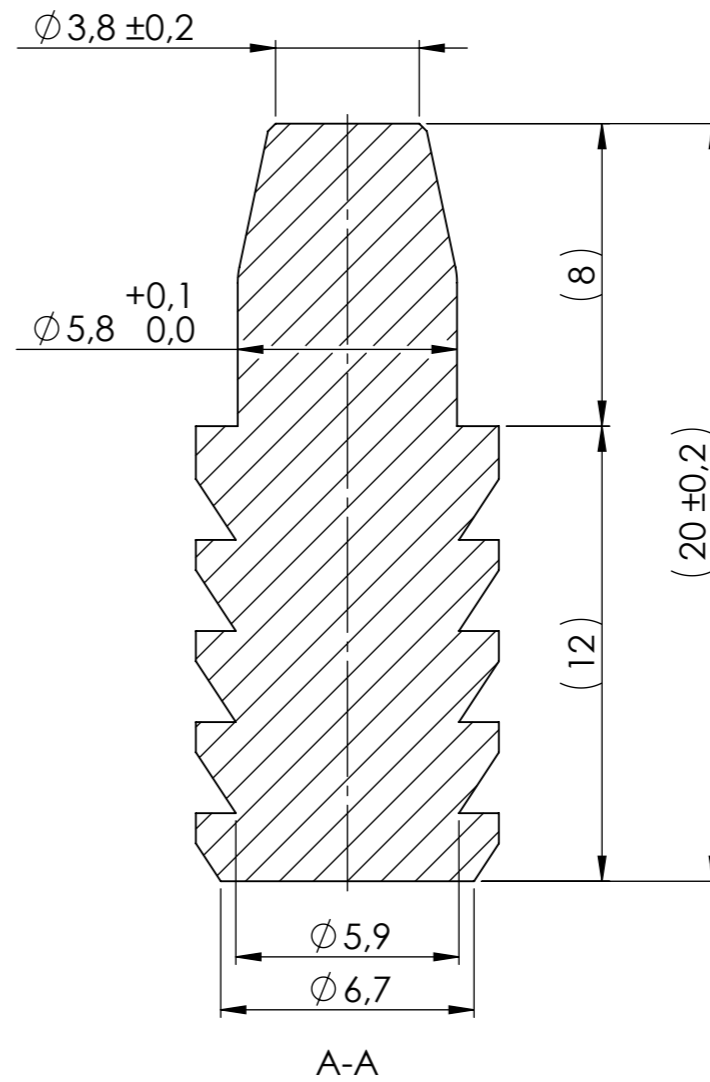
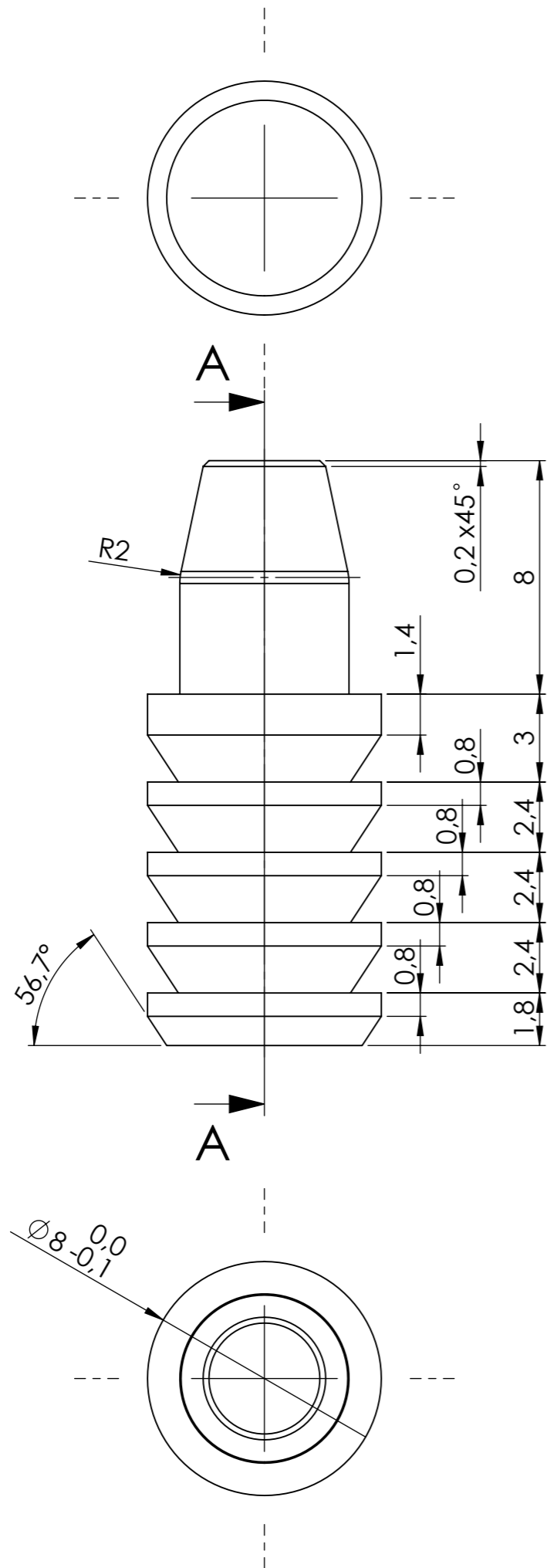



All property rights and rights to exploitation of copyright for this drawing data remain ours; they may not be made available to third parties without our consent.



Index	Change		Date	Name
 DIN ISO 128-30	Description:			
	Tischdübel+Hülsen-Set, 8x19,9mm, konische Form			
Surface:		Material: 1.0718 (11SMnPb30)		Weight: 5.50 g
PÖTTKER Transforming furniture	Name	Date	Raw material No:	
	Signed	Jakub P.	11.01.2023	Company
General tolerance: DIN ISO 2768 - mK	Tested	A.Jakobi	19.01.2023	
	Item No: 15066			Scale 5:1