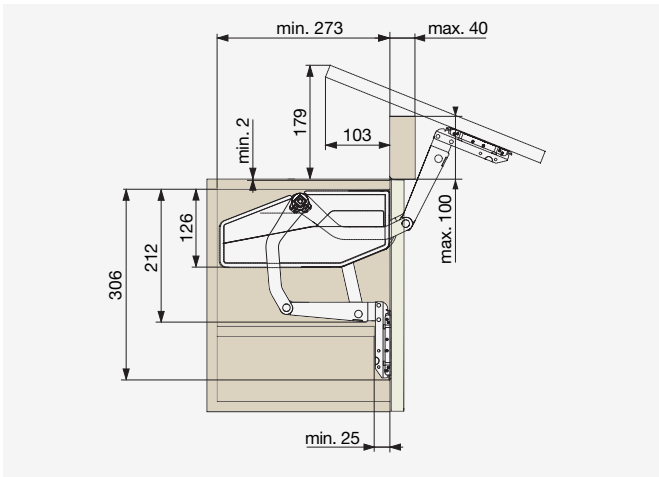


● FREEswing



For classic handle			
Door height [mm]	Door weight* [kg]	Code	Model
370	3.4 - 6.5	F008248	S4sw
400	3.3 - 6.3		
450	3.2 - 6.1		
500	3.0 - 5.8		
670	5.7 - 11.3	F008250	S6sw
700	5.6 - 11.1		
750	5.4 - 10.7		
800	5.3 - 10.3		

\* Door weight includes handle weight

Door weight calculation:

$\text{Thickness [m]} \times \text{Width [m]} \times \text{Length [m]} \times \text{Material density} = \text{Door weight [kg]}$

Material density [kg/m³]	
Chipboard	MDF
680	760