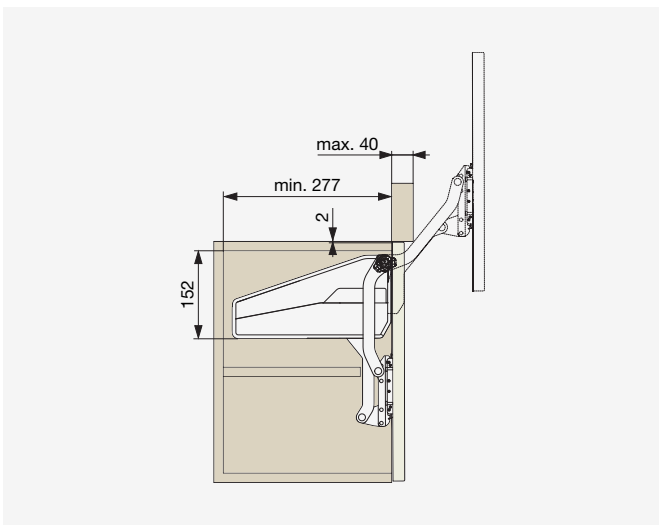


● FREEslide



Cabinet height [mm]	Door weight* [kg]	Code
430 - 600	1.6 - 3.3	F008172
	2.6 - 5.5	F008173
	5.0 - 9.7	F008174
	7.4 - 14.6	F008175

\* Door weight includes handle weight



Door weight calculation:

Thickness [m] × Width [m] × Length [m] × Material density = Door weight [kg]

Material density [kg/m <sup>3</sup> ]	
Chipboard	MDF
680	760